

4

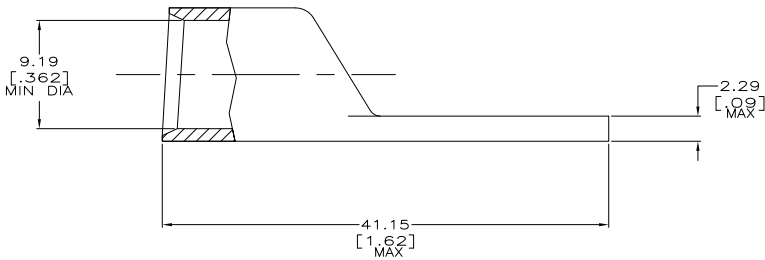
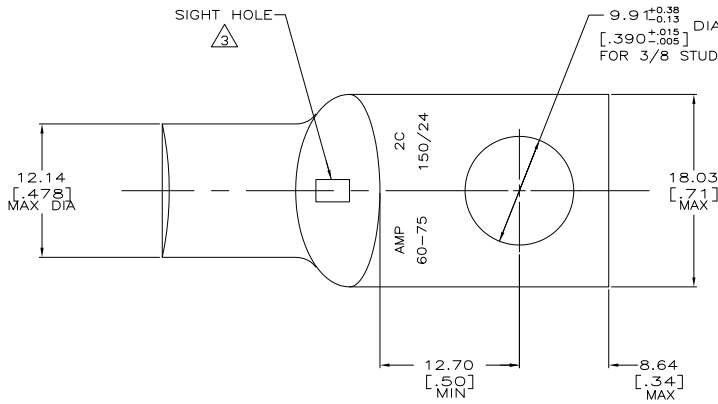
3

2

1

THIS DRAWING IS UNPUBLISHED. RELEASED FOR PUBLICATION
 © COPYRIGHT BY TYCO ELECTRONICS CORPORATION. ALL INTERNATIONAL RIGHTS RESERVED.

LOC	DIST	REVISIONS			
P	LTR	DESCRIPTION	DATE	BY	APPD
G	86				
	U1	REV PER EDR 09-016289	02SEP2009	JR	RL



- 1 CIRCULAR MIL AREA RANGE: 52,600-83,700 CM
- △ TIN PL 0.00381[.000150] MIN THK PER ASTM B-545
- △ SIGHT HOLE
- △ PRELIMINARY - NOT FOR PRODUCTION

NONE	△ 325203-3
REQUIRED	325203
△ SIGHT HOLE	PART NO.

THIS DRAWING IS A CONTROLLED DOCUMENT.		DR. SCHRUM 02/28/90	Tyco Electronics Corporation Harrisburg, PA 17105-3608	
DIMENSIONS: MM (INCHES)		DR. FEHER 16JAN95	Tyco Electronics	
TOLERANCES UNLESS OTHERWISE SPECIFIED:		MS. FUCHS 16JAN95	TERMINAL, AMPPOWER, WIRE SIZE: 2 AWG	
0 PLC	±	APPC	NAME	
1 PLC	±	W. VOCKROTH	108-30200	
2 PLC	±	PRODUCT SPEC	APPLICATION SPEC	
3 PLC	± 0.5[.020]		SIZE CASE CODE DRAWING NO	
4 PLC	±		RESTRICTED TO	
ANGLES	±		WEIGHT .024 LB	
MATERIAL ANNEALED COPPER			A2 00779 C=325203	
FINISH	△		CUSTOMER DRAWING	
			SCALE 4:1	SHEET 1 of 1
			REV U1	

1471-9 (1/08)

325203

A