

4

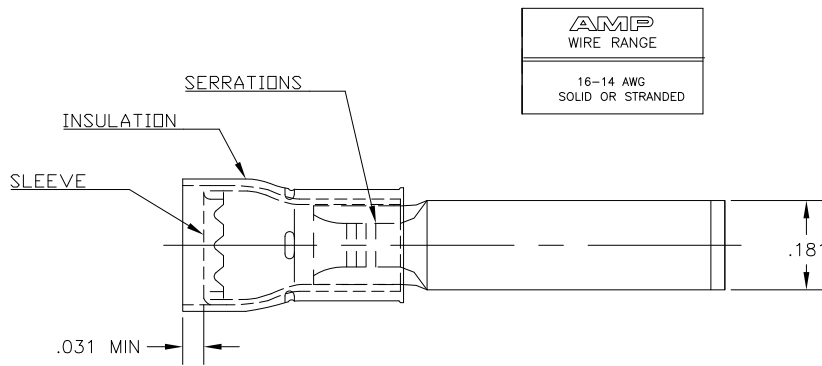
3

2

1

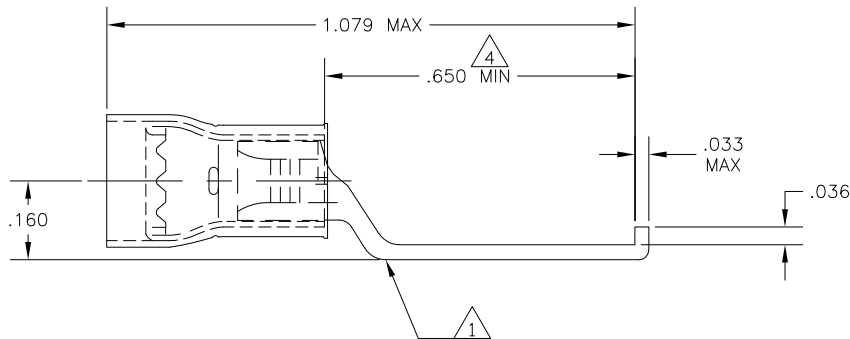
THIS DRAWING IS UNPUBLISHED. RELEASED FOR PUBLICATION
 © COPYRIGHT - BY TYCO ELECTRONICS CORPORATION. ALL RIGHTS RESERVED.

LOC	DIST	REVISIONS				
P	LTR	DESCRIPTION	DATE	DWN	APVD	
G	86					
	C1	REDRAWN PER ECR 10-004009	24FEB10	JR	TM	



AMP
WIRE RANGE
16-14 AWG
SOLID OR STRANDED

- 1 STAMP AMP 16-14, LOCATE APPROX AS SHOWN.
- 2 BODY - COPPER PER ASTM B-152
SLEEVE - COPPER PER ASTM B-152
INSULATION - NYLON
- 3 BODY - TIN PLATE PER ASTM B-545
SLEEVE - TIN PLATE PER ASTM B-545
INSULATION - COLOR, BLACK
- 4 DIMENSION APPLIES FROM EDGE OF METAL WIRE BBL TO FLANGE.
- 5 WIRE INSULATION DIA .115 TO .170



151469
PART NO

CUSTOMER SERVICE SYSTEMS		MAX RECOMMENDED OPERATING TEMPERATURE: 105°C	THIS DRAWING IS A CONTROLLED DOCUMENT.		DWN jr_ruth 24FEB10	Tyco Electronics Corporation Harrisburg, PA 17105-3608			
FOR ADDITIONAL PRODUCT INFORMATION OR COPIES OF DRAWINGS AND TECHNICAL DOCUMENTS	PRODUCT INFORMATION CENTER 1-800-522-6752	VOLTAGE RATING: 300V MAX	DIMENSIONS: INCHES	0 PLC ± - 1 PLC ± - 2 PLC ± .008 3 PLC ± - 4 PLC ± - ANGLES ± 5°	CHK TOM_MICHELUTTI 24FEB10	NAME TOM_MICHELUTTI			
FOR APPLICATION	TOOLING ASSISTANCE CENTER 1-800-722-1111	CIRCULAR MIL AREA: 1.04-2.62mm² [2,050-5,180] SOLID OR STRANDED	TOLERANCES UNLESS OTHERWISE SPECIFIED:		APVD TOM_MICHELUTTI 24FEB10	PRODUCT SPEC -			
TOOLING INFORMATION	1-800-722-1111	THIS DRAWING IS A CONTROLLED DOCUMENT FOR AMP INCORPORATED. IT IS SUBJECT TO CHANGE AND THE CONTROLLING ENGINEERING ORGANIZATION SHOULD BE CONTACTED FOR THE LATEST REVISION.	MATERIAL	FINISH	APPLICATION SPEC -	SIZE A3	CAGE CODE 00779		
FOR ORDER ENTRY	1-800-526-5142		-	2	-	3	DRAWING NO 151469	RESTRICTED TO -	
AMP 1470-19 REV 31MAR2000					CUSTOMER DRAWING		SCALE 5:1	SHEET 1 OF 1	REV C1