

4

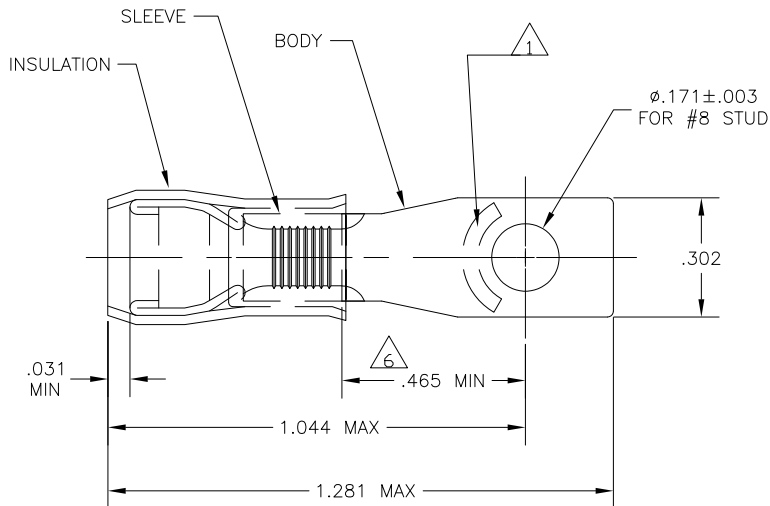
3

2

1

THIS DRAWING IS UNPUBLISHED. RELEASED FOR PUBLICATION
 © COPYRIGHT - BY TYCO ELECTRONICS CORPORATION. ALL RIGHTS RESERVED.

| LOC | DIST | REVISIONS | | | | |
|-----|------|-------------|-----------------------|---------|------|----|
| P | LTR | DESCRIPTION | DATE | DWN | APVD | |
| G | 14 | K1 | REV PER ECR 09-027414 | 16DEC09 | JR | TM |



- 1 STAMP AMP 12-10* APPROX AS SHOWN
 2 WIRE INSULATION DIA: .150-.230
 3 TONGUE MATERIAL THK: .040±.002
 4 BODY & SLEEVE: CU PER ASTM B152
 BODY & SLEEVE: TIN PLATE .000100 MIN
 EXT THK PER ASTM B545
 INSULATION: NYLON, COLOR - YELLOW
 5 BODY & SLEEVE: CU PER ASTM B152
 BODY: TIN PLATE .000100 MIN EXT THK
 PER ASTM B545
 INSULATION: NYLON PER ASTM D4066
 COLOR - YELLOW
 6 APPLIES FROM EDGE OF METAL WIRE BARREL
 TO CENTER OF STUD HOLE.
 7 MEETS MS17143-9, CLASS 1 & 2

| | | | | |
|----------|------|---------------------------|-----------------|------------|
| OBSOLETE | 50 | 2-327948-1 ON TAPE & REEL | 5 | 2-327948-3 |
| OBSOLETE | 500 | 327948 ON TAPE & REEL | 4 | 2-327948-2 |
| OBSOLETE | 2500 | LOOSE PIECE | 5 | 2-327948-1 |
| --- | --- | LOOSE PIECE | 4 | 327948 |
| QTY | | PACKAGE TYPE | MATERIAL FINISH | PART NO |

| CUSTOMER SERVICE SYSTEMS | | MAX RECOMMENDED OPERATING TEMPERATURE: | THIS DRAWING IS A CONTROLLED DOCUMENT. | | DWN | 16DEC09 | Tyco Electronics Corporation | | | |
|---|--|--|--|--|------------------|---------------|------------------------------|---|------------|---------------|
| FOR ADDITIONAL PRODUCT INFORMATION OR COPIES OF DRAWINGS AND TECHNICAL DOCUMENTS | PRODUCT INFORMATION CENTER 1-800-522-6752 | 105°C MAX | DIMENSIONS: INCHES | TOLERANCES UNLESS OTHERWISE SPECIFIED: | JR RUTH | 16DEC09 | Harrisburg, Pa 17105-3608 | | | |
| FOR APPLICATION TOOLING INFORMATION | TOOLING ASSISTANCE CENTER 1-800-722-1111 | VOLTAGE RATING: 300 VOLT MAX | | 0 PLC ± - 1 PLC ± - 2 PLC ± - 3 PLC ± .008 4 PLC ± - ANGLES ± - | CHK | 16DEC09 | NAME | | | |
| FOR ORDER ENTRY | 1-800-526-5142 | CIRCULAR MIL AREA: 2.62-6.64mm ² [5,180-13,100] STRANDED OR SOLID | | MATERIAL | FINISH | T. MICHELUTTI | 16DEC09 | TERMINAL, RECTANGULAR TONGUE, PIDG WIRE SIZE: 12-10 AWG | | |
| THIS DRAWING IS A CONTROLLED DOCUMENT FOR AMP INCORPORATED. IT IS SUBJECT TO CHANGE AND THE CONTROLLING ENGINEERING ORGANIZATION SHOULD BE CONTACTED FOR THE LATEST REVISION. | | SEE TABLE | SEE TABLE | WEIGHT | APVD | 16DEC09 | SIZE | CAGE CODE | DRAWING NO | RESTRICTED TO |
| | | | | | T. MICHELUTTI | 16DEC09 | A3 | 00779 | 327948 | --- |
| | | | | | PRODUCT SPEC | | CUSTOMER DRAWING | | SCALE | SHEET |
| | | | | | APPLICATION SPEC | | 4:1 | | 1 | 1 |
| | | | | | --- | | | | REV | K1 |

AMP 1470-19 REV 31MAR2000