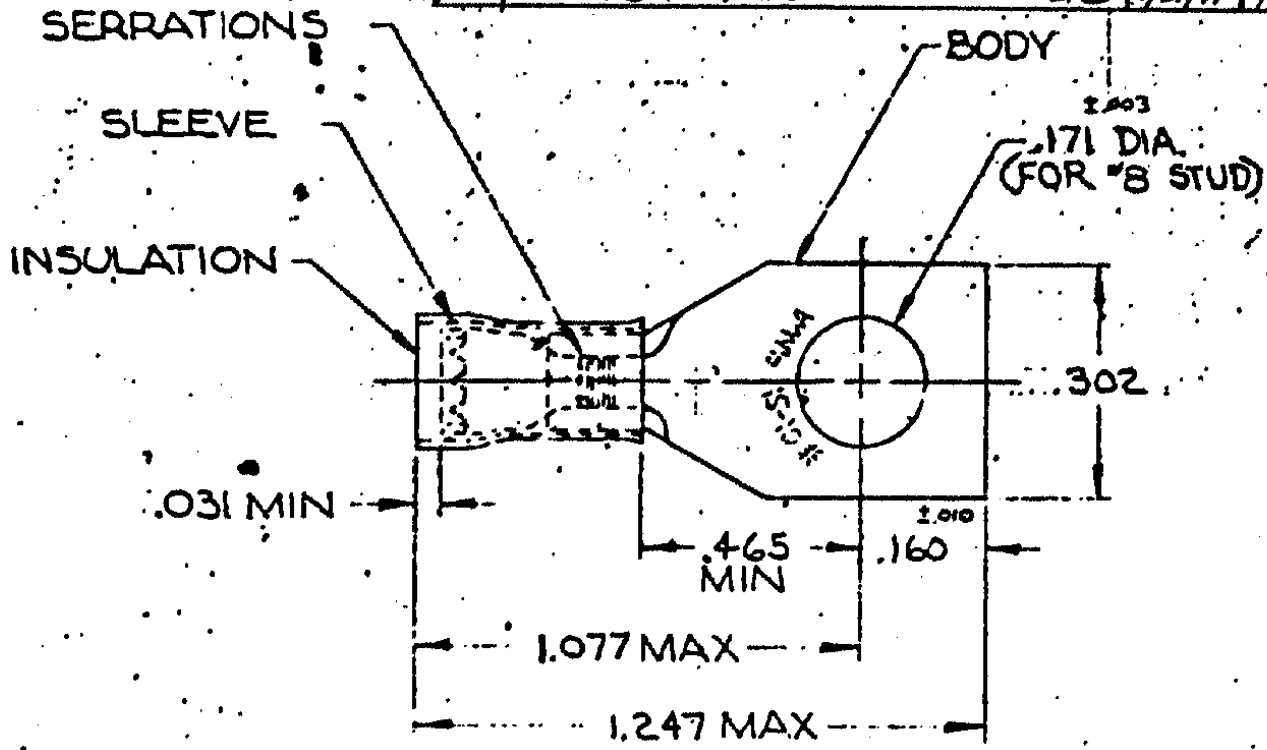


DRAWING MADE IN AMERICAN PROJECTION

LOC 6 PRINT DIST 14

© 1964 BY AMP INCORPORATED, ALL RIGHTS RESERVED. AMP PRODUCTS COVERED BY PATENTS AND/OR PATENTS PENDING.

REVISIONS			
LTR	DESCRIPTION	DATE	APPROVED
A	REDRAWN, REV ADDED TAPE NO. PL 20-4	5/14/70	Jme
B	REV PER G-4732	10/12/78	Pjt
C	REV PER G-5646	1/21/91	ME



RECORD PRINT
RETURN TO FILE

1	331268 ON TAPE	2-331268-1	INSULATION: NYLON COLOR: YELLOW
1	WIRE TERMINAL	331268	SLEEVE: COPPER (QQ-C-576)
			BODY: COPPER (QQ-C-576)
			TIN PL (MIL-T-10727)
QTY	DESCRIPTION	PART NO.	MATERIAL & FINISH

UNLESS OTHERWISE SPECIFIED DIMENSIONS ARE IN INCHES TOLERANCES ON: DECIMALS ±.008 ANGLES ±.5°	CONTRACT NO.	AMP INCORPORATED HARRISBURG, PENNSYLVANIA	
	DR. <i>Stumpf</i> 5-13-70		
	CHK. <i>Mr. Enominger</i> 5-14-70	NAME	WIRE TERMINAL
	APPRO. <i>L. W. ...</i> 5-15-70	P.I.D.G. - RECTANGULAR TONGUE	WIRE SIZE: 12-10
MATERIAL	REL. <i>H. ...</i> 5-19-70	SIZE	A
SEE TABLE	DR. APPRO. <i>H. ...</i>	CODE IDENT NO.	00779
	OTHER APPRO.	NUMBER	331268
		SHEETS 1 OF 1	