

4

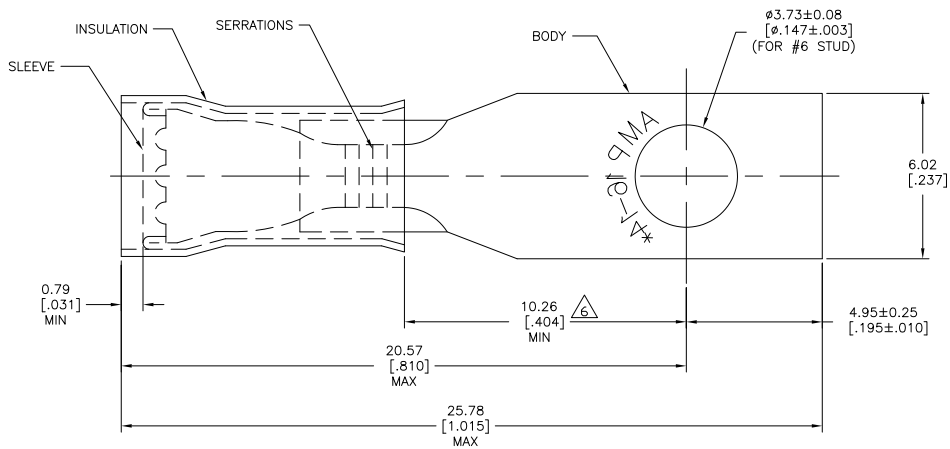
3

2

1

THIS DRAWING IS UNPUBLISHED. RELEASED FOR PUBLICATION.
 © COPYRIGHT BY TYCO ELECTRONICS CORPORATION. ALL INTERNATIONAL RIGHTS RESERVED.

LOC	DIST	REVISIONS		
F	LNK	DESCRIPTION	DATE	APP'D
P2		REVISED PER ECR-09-026553	04DEC09	JR TM



- 1 WIRE INSULATION DIAMETER: SEE TABLE
- 2 TONGUE MATERIAL THK: 0.79±.05[.031±.002]
- 3 FINISH: 0.00254[.000100] MIN THK TIN PLATE (ASTM-B545)
- 4 PVC - BLUE
- 5 NYLON ASTM-D4066 TYPE 1 - BLUE
- 6 APPLIES FROM THE METAL EDGE OF THE BARREL TO THE CENTER OF THE STUD
- 7 MEETS MS17143-14, CLASS 1 & 2

OBSOLETE	3	5	2.67-3.81 [.105-.150]	100	ON TAPE, SMALL BOX	2-327958-7
SUPERSEDED BY 2-327958-1	3	5	2.67-3.81 [.105-.150]	1000	ON TAPE, LARGE BOX	2-327958-6
SUPERSEDED BY 2-327958-4	3	5	2.67-3.81 [.105-.150]	5000	ON TAPE, REEL	2-327958-5
	3	5	2.67-3.81 [.105-.150]	-	LOOSE PIECE	2-327958-4
OBSOLETE	3	5	2.92-4.32 [.115-.170]	5000	ON TAPE, REEL	2-327958-2
	3	5	2.92-4.32 [.115-.170]	-	LOOSE PIECE	2-327958-1
SUPERSEDED BY 2-327958-1	3	4	2.92-4.32 [.115-.170]	-	LOOSE PIECE	327958

BODY FINISH	INSULATION MATERIAL	WIRE INSULATION DIAMETER	QTY	DESCRIPTION	PART NO
THIS DRAWING IS A CONTROLLED DOCUMENT.					
DIMENSIONS: mm [INCHES]		TOLERANCES UNLESS OTHERWISE SPECIFIED:		DRAWN: RACHAVENDRA 01SEP08	
0 PLC ± .-		1 PLC ± .-		CHK: JEFF RUTH 01SEP08	
2 PLC ± .-		3 PLC ± 0.20 [0.008]		APP'D: TOM MICHIELUCCI 01SEP08	
4 PLC ± .-		ANGLES ± .-		PRODUCT SPEC: -	
MATERIAL: BODY & SLEEVE COPPER (ASTM-B152)		FINISH: SEE TABLE		NAME: Tyc Electronics Corporation, Harrisburg, PA 17105-3608	
		APPLICATION SPEC: -		TERMINAL, PIDG, RECTANGULAR TONGUE, WIRE SIZE: 16-14	
		WEIGHT: -		SIZE: A2 00779 C=327958	
		CUSTOMER DRAWING		RESTRICTED TO: -	
		SCALE: 10:1		SHEET: 1 of 1	
				REV: P2	

1471-9 (1/08)

327958

B

A