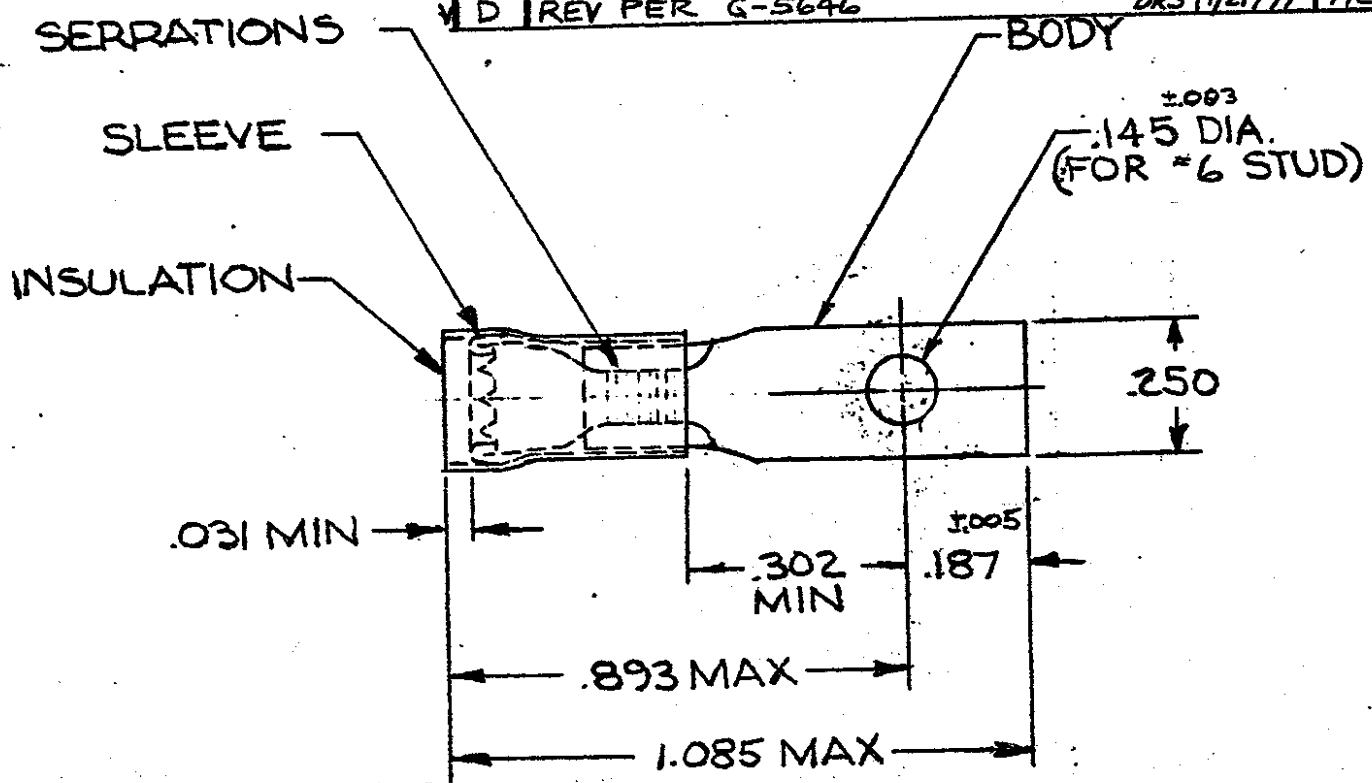


DRAWING MADE IN AMERICAN PROJECTION


LOC G PRINT DIST 14

©1962 BY AMP INCORPORATED. ALL RIGHTS RESERVED. AMP PRODUCTS COVERED BY PATENTS AND/OR PATENTS PENDING.

REVISIONS			
LTR	DESCRIPTION	DATE	APPROVED
A	REDRAWN, REV # ADDED TAPE NO. P6080 <sup>2</sup>	4-21-70	FLY
B	OBS. 2-1 REV G 2591	BT 10-21-87	PMF
C	REV PER G4732	JT 7/26/88	DJC
D	REV PER G-5646	DKS 1/21/91	MEU



TONGUE MATERIAL THK = .040 ±.002 FOR .150 TO .230 WIRE INS. DIA.

1	329697 ON TAPE	2-329697-1 OBSOLETE	INSULATION: NYLON COLOR: YELLOW SLEEVE: COPPER (QQ-C-576)
1	WIRE TERMINAL	329697	BODY: COPPER (QQ-C-576) TIN PL (MIL-T-10727)
QTY	DESCRIPTION	PART NO.	MATERIAL & FINISH
UNLESS OTHERWISE SPECIFIED DIMENSIONS ARE IN INCHES TOLERANCES ON: DECIMALS ±.008 ANGLES ± 5°		CONTRACT NO. 4	 AMP INCORPORATED HARRISBURG, PENNSYLVANIA
MATERIAL		DR. <i>Sturtevant</i> 4-15-70	
SEE TABLE		CHK <i>W. J. ...</i> 4-21-70	NAME WIRE TERMINAL P.L.D.G. - RECTANGULAR TONGUE WIRE SIZE: 12-10
		APPD <i>W. J. ...</i> 4-21-70	SIZE A CODE IDLNT NO. 00779 NUMBER 329697
		REL <i>W. J. ...</i> 4-21-70	SCALE NTS SHEET 1 OF 1
		USGN APPD	CUSTOMER DRAWING
		OTHER APPD	