

4

3

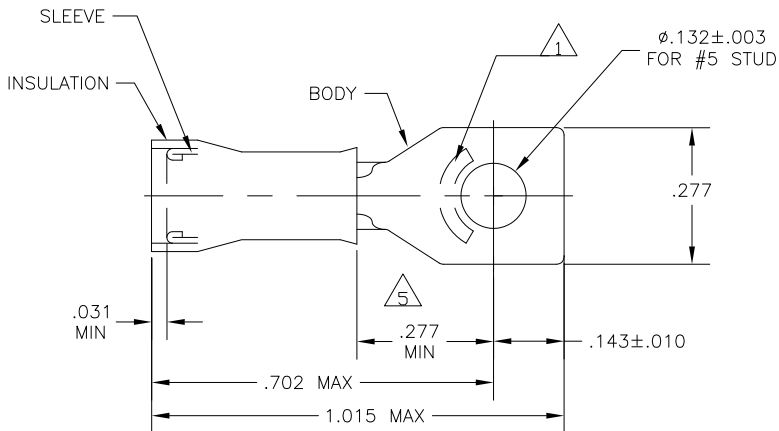
2

1

THIS DRAWING IS UNPUBLISHED. RELEASED FOR PUBLICATION
 © COPYRIGHT - BY TYCO ELECTRONICS CORPORATION. ALL RIGHTS RESERVED.

LOC	DIST	REVISIONS				
P	LTR	DESCRIPTION	DATE	DWN	APVD	
G	14	F1	REV PER ECR 10-000871	13JAN10	JR	TM

WIRE RANGE	E13288 Listed	LR7189 Certified
22-16 AWG SOLID OR STRANDED	22-16 AWG SOLID OR STRANDED	22-16 AWG SOLID OR STRANDED



- 1 STAMP "AMP 22-18*", APPROX AS SHOWN 22-16 TERMINALS ARE STAMPED 22-18 IN ACCORDANCE WITH MILITARY SPEC AS7928, COMMERCIAL WIRE RANGE IS 22-16
- 2 WIRE INSULATION DIA: .105-.140
- 3 TONGUE MATERIAL THK: .031±.002
- 4 BODY & SLEEVE: CU PER ASTM B152
 BODY & SLEEVE: TIN PLATE .000100 MIN EXT THK PER ASTM B545
 INSULATION: NYLON PER ASTM D4066, COLOR - RED
- 5 APPLIES FROM EDGE OF METAL WIRE BARREL TO CENTER OF STUD HOLE.
- 6 MEETS MS17143-10, CLASS 1 & 2

500	LOOSE PIECE	4	6	2-327950-1
QTY	PACKAGE TYPE	MATERIAL FINISH	PART NO	

CUSTOMER SERVICE SYSTEMS		MAX RECOMMENDED OPERATING TEMPERATURE:	THIS DRAWING IS A CONTROLLED DOCUMENT.		DWN	13JAN10	Tyco Electronics Corporation			
FOR ADDITIONAL PRODUCT INFORMATION OR COPIES OF DRAWINGS AND TECHNICAL DOCUMENTS	PRODUCT INFORMATION CENTER 1-800-522-6752	105°C MAX	DIMENSIONS:	TOLERANCES UNLESS OTHERWISE SPECIFIED:	JR RUTH	13JAN10	Harrisburg, Pa 17105-3608			
FOR APPLICATION TOOLING INFORMATION	TOOLING ASSISTANCE CENTER 1-800-722-1111	VOLTAGE RATING: 300 V MAX	INCHES	0 PLC ± - 1 PLC ± - 2 PLC ± - 3 PLC ± .008 4 PLC ± - ANGLES ± -	T MICHELUTTI	13JAN10	NAME			
FOR ORDER ENTRY	1-800-526-5142	CIRCULAR MIL AREA: 0.26-1.65mm ² [509-3,260] STRANDED OR SOLID	MATERIAL	FINISH	T MICHELUTTI	13JAN10	TERMINAL, RING TONGUE, PIDG, WIRE SIZE: 22-16 AWG			
THIS DRAWING IS A CONTROLLED DOCUMENT FOR AMP INCORPORATED. IT IS SUBJECT TO CHANGE AND THE CONTROLLING ENGINEERING ORGANIZATION SHOULD BE CONTACTED FOR THE LATEST REVISION.		SEE TABLE	SEE TABLE	SEE TABLE	APVD	13JAN10	SIZE	CAGE CODE	DRAWING NO	RESTRICTED TO
					T MICHELUTTI	13JAN10	A3	00779	C-327950	
					PRODUCT SPEC		CUSTOMER DRAWING		SCALE	SHEET
					APPLICATION SPEC				5:1	1 OF 1
					WEIGHT					REV
										F1

AMP 1470-19 REV 31MAR2000