

4

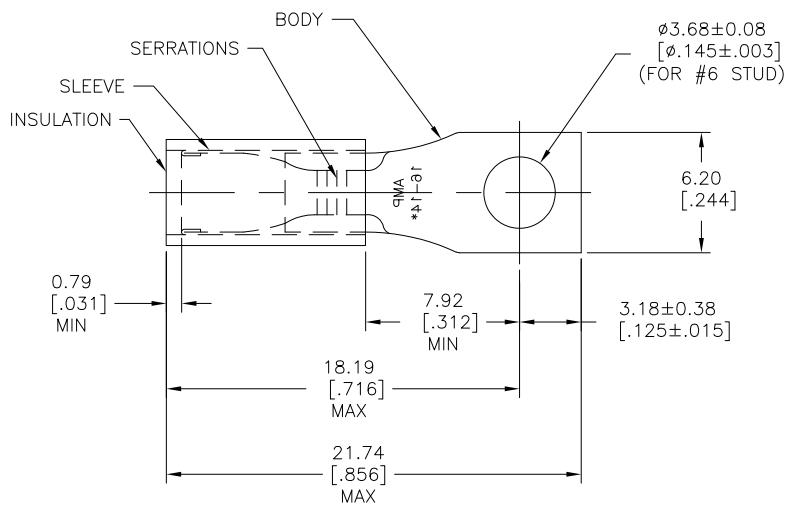
3

2

1

THIS DRAWING IS UNPUBLISHED. RELEASED FOR PUBLICATION  
 © COPYRIGHT BY TYCO ELECTRONICS CORPORATION. ALL INTERNATIONAL RIGHTS RESERVED.

LOC	DIST	REVISIONS				
P	LTR	DESCRIPTION	DATE	DWN	APVD	
G	14					
	G1	REDRAWN PER ECO-09-005960	14APR09	HMR	JR	



TONGUE MATERIAL THK =  $0.79 \pm 0.05$  [.031 ± .002]  
 FOR 2.92 [.115] TO 4.32 [.170] WIRE INS. DIA

100	LOOSE PC, BOX	8-33173-1	INSULATION: NYLON COLOR: BLUE SLEEVE: COPPER (ASTM-B152) BODY: COPPER (ASTM-B152) TIN PL (ASTM-B545)
<del>1</del>	<del>33173 ON TAPE</del>	<del>2-33173-1</del>	
1	WIRE TERMINAL	33173	MATERIAL & FINISH
QTY	DESCRIPTION	PART NO	

THIS DRAWING IS A CONTROLLED DOCUMENT.		DWN RAGHAVENDRA 14APR09	Tyco Electronics Corporation Harrisburg, PA 17105-3608	
DIMENSIONS: mm [INCHES]		CHK JEFF RUTH 14APR09	Tyco Electronics	
TOLERANCES UNLESS OTHERWISE SPECIFIED:		APVD Tom Michielutti 14APR09	NAME	
0 PLC ± -		PRODUCT SPEC		
1 PLC ± -		APPLICATION SPEC		
2 PLC ± -		SIZE		
3 PLC ± 0.20 [.008]		CAGE CODE		
4 PLC ± -		DRAWING NO		
ANGLES ± 5°		RESTRICTED TO		
MATERIAL SEE TABLE	FINISH SEE TABLE	WEIGHT	A3 00779	© 33173
CUSTOMER DRAWING		SCALE	SHEET	REV
		5:1	1 OF 1	G1

1470-19 (1/08)