

4

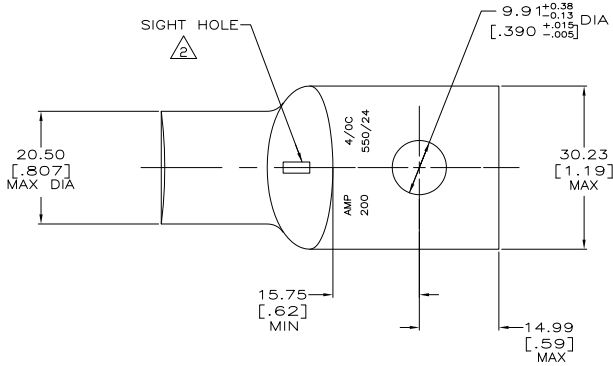
3

2

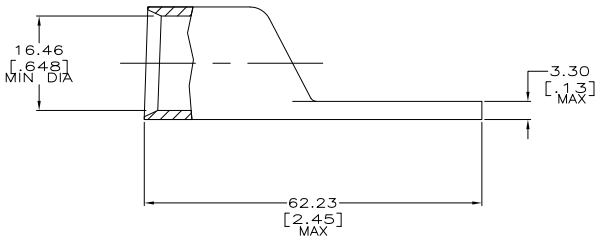
1

THIS DRAWING IS UNPUBLISHED. RELEASED FOR PUBLICATION
 © COPYRIGHT BY TYCO ELECTRONICS CORPORATION. ALL INTERNATIONAL RIGHTS RESERVED.

LOC	DIST	REVISIONS			
P	LTR	DESCRIPTION	DATE	BY	APPD
G	86				
	P1	REV PER EDR 10-017024	09NOV10	JR	RL



- 1 CIRCULAR MIL RANGE: 190,000-231,000 CM
- △ SIGHT HOLE LOCATION IF REQUIRED, REFER TO TABLE.
- △ COPPER PER ASTM B-75, ANNEALED
- △ TIN PLATE 0.00381 [.000150] MIN PER ASTM B-545.



NONE	325603-2
REQD	325603
△ SIGHT HOLE	PART NO.

THIS DRAWING IS A CONTROLLED DOCUMENT.		DR. SCHURM 02/28/90	Tyco Electronics Corporation Harrisburg, PA 17105-3608	
DIMENSIONS: MM [INCHES]		CHK. KAUFMAN 8/10/92	TERMINAL, AMPPOWER, WIRE SIZE: 4/0 AWG	
MATERIAL △3		APPD. -	SIZE CAGE CODE DRAWING NO.	RESTRICTED TO
FINISH △4		PRODUCT SPEC -	A2 00779 C-325603	
		APPLICATION SPEC -	WEIGHT .102 LBS	SCALE 2:1 SHEET 1 of 1 REV P1
		OTHER REF. SPEC. -	CUSTOMER DRAWING	

1471-9 (1/08)

325603

A