

4

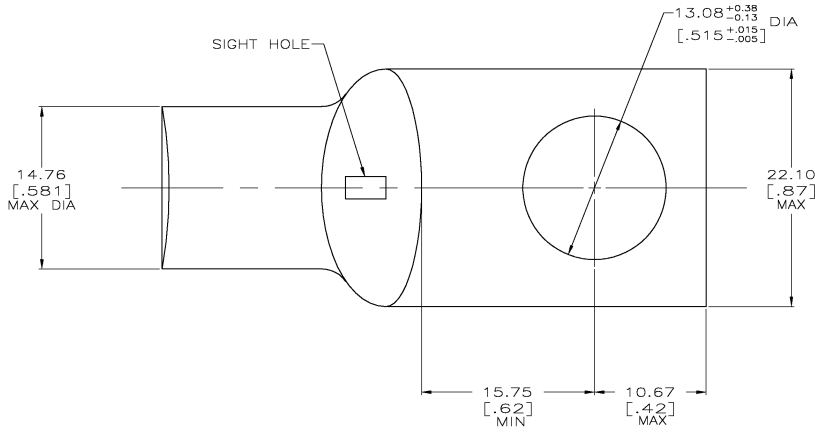
3

2

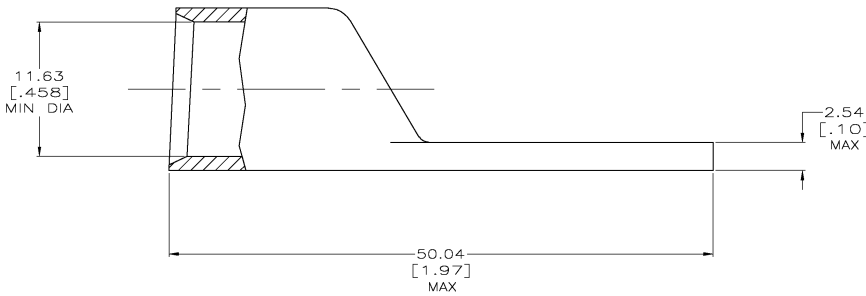
1

THIS DRAWING IS UNPUBLISHED. RELEASED FOR PUBLICATION
 © COPYRIGHT BY TYCO ELECTRONICS CORPORATION. ALL RIGHTS RESERVED.

LOC	DIST	REVISIONS			
P	LN	DESCRIPTION	DATE	BY	APPD
G	86				
	U	REV PER 063A-0538-03	02SEP03	JR	MS



- 1 CIRCULAR MIL RANGE: 83,700-119,500 CM
- 2 TIN PL 0.00381[0.000150] MIN THK PER MIL-T-10727
- 3 ANNEALED COPPER PER ASTM B-75



CLEANED, UNPLATED	325305-4
2	325305
FINISH	PART NO

THIS DRAWING IS A CONTROLLED DOCUMENT.		DRG	DK SCHURM	02/28/90	Tyco Electronics Corporation	
DIMENSIONS:		CHK	MS FRHIER	31AUG94	Harrisburg, PA 17105	
INCHES		APPD	MJ SPICER	31AUG94	TERMINAL, AMPPOWER	
0 P/LC ±		PRODUCT SPEC			WIRE SIZE: 1/0 AWG	
1 P/LC ±		APPLICATION SPEC			RESTRICTED TO	
2 P/LC ±		FINISH	SEE TABLE		-	
3 P/LC ±		WEIGHT	.038 LB	SIZE	A2	00779
4 P/LC ±		CUSTOMER DRAWING		DATE CODE	00779	325305
ANGLES				DRAWING NO		
FINISH				SCALE	4:1	SHEET 1 of 1
SEE TABLE				REV	U	