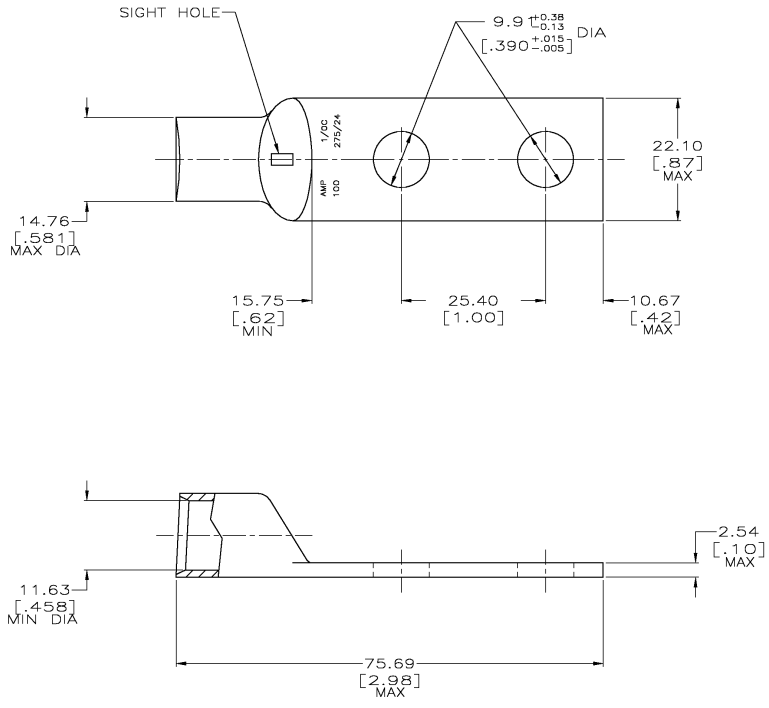


DRAWING MADE IN THIRD ANGLE PROJECTION  
 THIS DRAWING IS UNPUBLISHED. RELEASED FOR PUBLICATION .19  
 © COPYRIGHT 19 BY AMP INCORPORATED. ALL INTERNATIONAL RIGHTS RESERVED.

REVISIONS								
LOG	DIST	P	F	ZONE	LTR	DESCRIPTION	DATE	APPO
G	86				W	REV PER 0G3A-0786-03	09DEC03	MS



- 1 CIRCULAR MIL RANGE: 83,700-119,500 CM
- △ TIN PL 0.00381[.000150] MIN THK PER ASTM B-545
- △ 3 CLEANED, UN-PLATED

△ 3	326800-8
△ 2	326800
FINISH	PART NO

DO NOT SCALE PRINT. UNLESS SPECIFIED	DR 02/28/90 DK SCHRUM	<b>AMP</b> AMP INCORPORATED Harrisburg, Pa. 17105	
DIMENSIONS IN mm [INCHES]	CHK 31AUG84 MS FEHER		
TOLERANCES ON:	APPD 31AUG84 WJ VOCKROTH	NAME	
2 PLC DEC ± 0.51[.020]	APPD 31AUG84 TL SHUTTER	TERMINAL, AMPPOWER, WIRE SIZE: 1/0 AWG	
3 PLC DEC ± -	PRODUCT SPEC	DRAWING NO	
ANGLES ± -	FINISH	SIZE	CAGE CODE
MATERIAL	SEE TABLE	C	00779
ANNEALED COPPER ASTM B-75	APPLICATION SPEC	SCALE	DRAWING NO
		2:1	326800
	WEIGHT .060 LB		SHEET 10F 1

**METRIC**