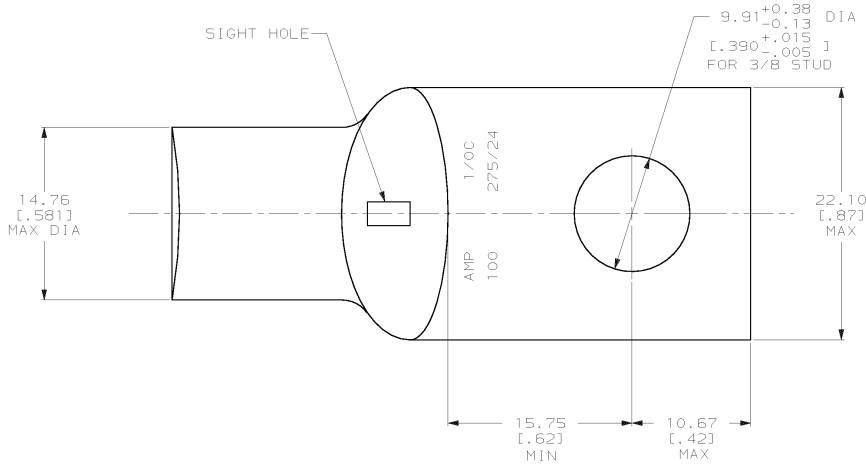
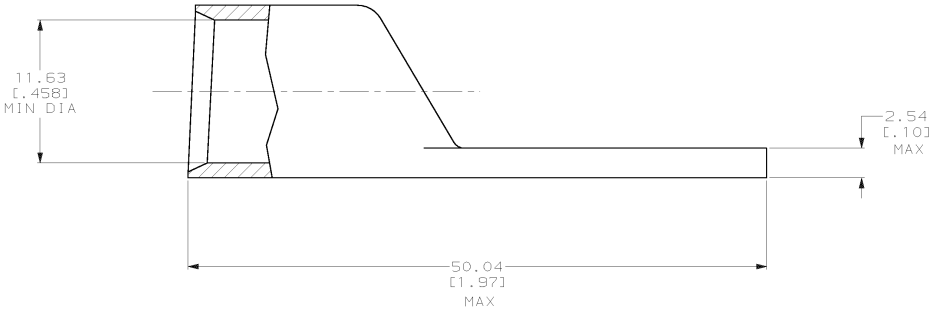


DRAWING MADE IN THIRD ANGLE PROJECTION
 THIS DRAWING IS UNPUBLISHED. RELEASED FOR PUBLICATION .19
 © COPYRIGHT 19 BY AMP INCORPORATED. ALL INTERNATIONAL RIGHTS RESERVED.

LOC		DIST		ZONE		LTR		REVISIONS		DATE	APPD
6	86	P	F					Y	REV PER 063A-0561-01	070CT02	JB/MS



1 CIRCULAR MIL RANGE: 83,700-119,500 CM
 TIN PL 0.00381[.000150] MIN THK PER MIL-T-10727



METRIC

		325303	
		PART NO	
DO NOT SCALE PRINT. UNLESS SPECIFIED DIMENSIONS IN mm (INCHES) TOLERANCES ON: 2 PLC DEC ± 0.51(.020) 3 PLC DEC ± ANGLES ± -		AMP AMP INCORPORATED Harrisburg, Pa. 17105	
DR 02/28/90 DK SCHIRM		NAME	
CHK 31AUG94 AJ KAUFMAN		TERMINAL, AMPOWER	
APPD 31AUG94 WJ VOCKROTH		WIRE SIZE: 1/0 AWG	
MATERIAL ANNEALED COPPER ASTM B-75		PRODUCT SPEC -	
FINISH -		SIZE C	CAGE CODE 00779
APPLICATION SPEC -		DRAWING NO 325303	
WEIGHT .041 LB		SCALE 4:1	SHEET 1 OF 1