

4

3

2

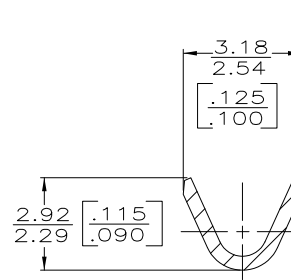
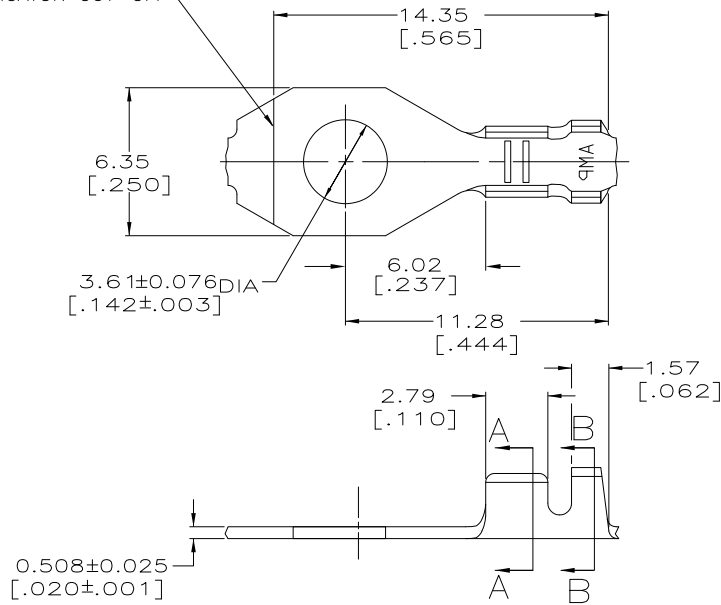
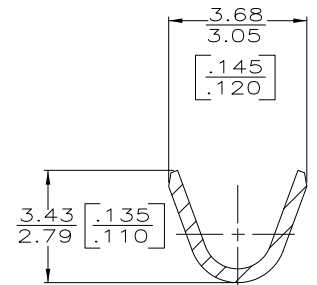
1

THIS DRAWING IS UNPUBLISHED. RELEASED FOR PUBLICATION
 © COPYRIGHT - BY TYCO ELECTRONICS CORPORATION. ALL INTERNATIONAL RIGHTS RESERVED.

| LOC | DIST | REVISIONS | | | | |
|-----|------|---------------------------|---------|-----|------|--|
| P | LTR | DESCRIPTION | DATE | DWN | APVD | |
| AF | 50 | | | | | |
| | L | REVISED PER ECR-08-008189 | 24NOV08 | HMR | DD | |

APPLICATOR CUT-OFF

1 CONTINUOUS STRIP ON REELS
 2 8000 PER REEL

SECTION A-A
SCALE 10:1SECTION B-B
SCALE 10:1

METRIC

| | | | |
|-------------|------------------------------|--|--------------|
| TIN PLATING | 1.22-1.98 DIA [.048-.078] | 0.13mm ² -0.5mm ² [26-20] AWG | 60123-3 2 |
| TIN PLATING | 1.22-1.98 DIA [.048-.078] | 0.13mm ² -0.5mm ² [26-20] AWG | 60123-2 |
| FINISH | INSULATION RANGE | WIRE RANGE | PART NUMBER |

| | | | | | | | | | | | |
|-----------------------|----------------|----------------------------------|-------------------|----------------|---------------|-------------------------|--|---|---|---|------|
| F OR O | 2.79 [.110] | 4.06 [.160] | F | 2.03 [.080] | 1.40[.055] | 0.5mm ² [20] | THIS DRAWING IS A CONTROLLED DOCUMENT. | DWN P FORTNEY 4/5/90 | Tyco Electronics Corporation Harrisburg, PA 17105-3608 | | |
| | | | | | 1.37[.054] | 0.3mm ² [22] | | CHK JR RUTH 4/5/90 | | | |
| TYPE | WIDTH | STRIP LENGTH ±0.38 [±.015] | TYPE | WIDTH | HEIGHT | WIRE | | DIMENSIONS: mm [INCHES] | | TOLERANCES UNLESS OTHERWISE SPECIFIED: | NAME |
| INSUL BARREL CRIMP | | | WIRE BARREL CRIMP | | ±0.051[±.002] | | | 0 PLC ± - 1 PLC ± - 2 PLC ± - 3 PLC ± 0.38 [.015] 4 PLC ± - ANGLES ± - | | FINISH | RING |
| | | | | | | | MATERIAL #2 HARD BRASS | SEE TABLE | SIZE A3 | | |
| | | | | | | | | | CAGE CODE 00779 | | |
| | | | | | | | | | DRAWING NO 60123 | | |
| | | | | | | | | | RESTRICTED TO | | |
| | | | | | | | | | — | | |
| | | | | | | | | | CUSTOMER DRAWING | | |
| | | | | | | | | | SCALE 6:1 | | |
| | | | | | | | | | SHEET 1 OF 1 | | |
| | | | | | | | | | REV L | | |

1470-19 (1/08)