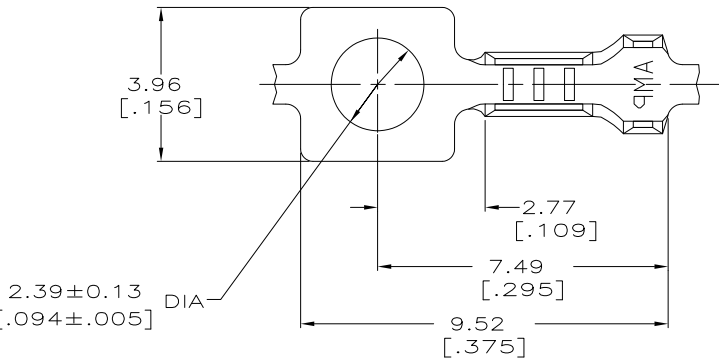
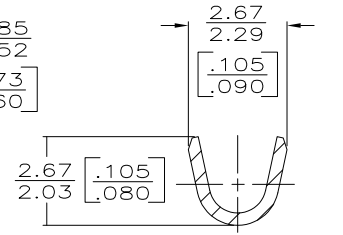
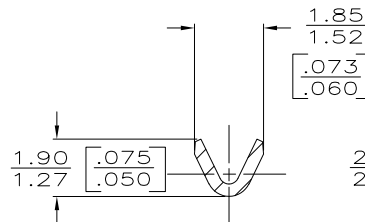
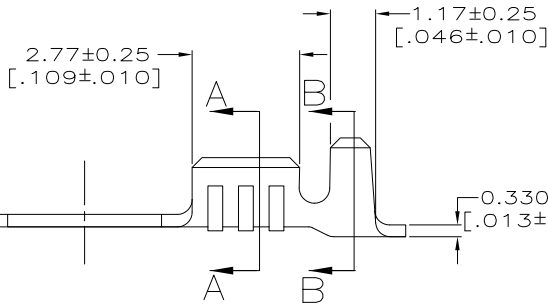


THIS DRAWING IS UNPUBLISHED. RELEASED FOR PUBLICATION
 © COPYRIGHT - BY TYCO ELECTRONICS CORPORATION. ALL RIGHTS RESERVED.

LOC	DIST	REVISIONS			
P	LTR	DESCRIPTION	DATE	DWN	APVD
AF	50	F4	REVISED PER ECR-07-029509	10DEC07	HMR DD



- 1 CONTINUOUS STRIP ON REELS.
- 2 .000100-.000200 GOLD PLATING OVER .000200 MIN NICKEL UNDERPLATE.



METRIC

TYPE	WIDTH	STRIP LENGTH	TYPE	WIDTH	HEIGHT	WIRE
INSUL BARREL CRIMP	2.29 [.090]	3.94 [.155]	F	1.40 [.055]	0.79 [.033] 0.76 [.030]	0.2mm ² [24] 0.14mm ² [26]
		±0.38 [±.015]			±0.051 [±.002]	

THIS DRAWING IS A CONTROLLED DOCUMENT.

DIMENSIONS:	TOLERANCES UNLESS OTHERWISE SPECIFIED:
INCHES	
0 PLC	± -
1 PLC	± -
2 PLC	± -
3 PLC	± 0.38 [.015]
4 PLC	± -
ANGLES	± -

MATERIAL: #1 HARD BRASS
FINISH: SEE TABLE

FINISH	INSULATION RANGE	WIRE SIZE	PART NO
2	0.89-1.65 [.035-.065]	0.14mm ² -0.2mm ² [26-24] AWG	61653-2
-	0.89-1.65 [.035-.065]	0.14mm ² -0.2mm ² [26-24] AWG	61653-1

DWN: RAGHAVENDRA 19APR07	Tyco Electronics Corporation Harrisburg, PA 17105-3608		
CHK: D F DECKER 19APR07	RING		
APVD: D F DECKER 19APR07	NAME: RING		
PRODUCT SPEC: -	SIZE: A3 CAGE CODE: 00779 DRAWING NO: 61653		
APPLICATION SPEC: -	RESTRICTED TO: -		
WEIGHT: -	SCALE: 10:1 SHEET: 1 OF 1 REV: F4		