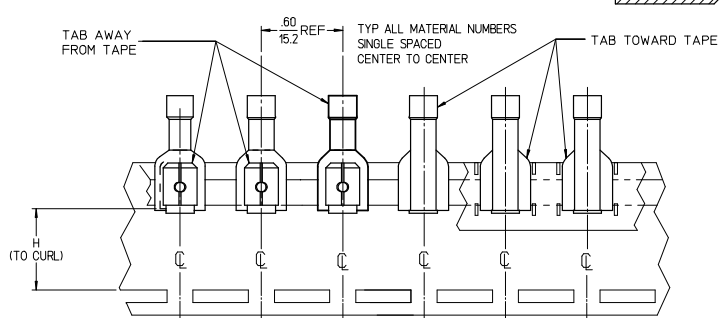
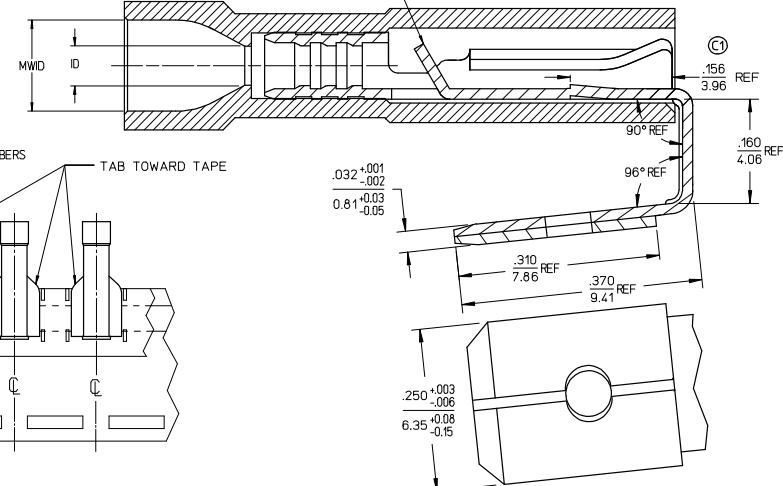
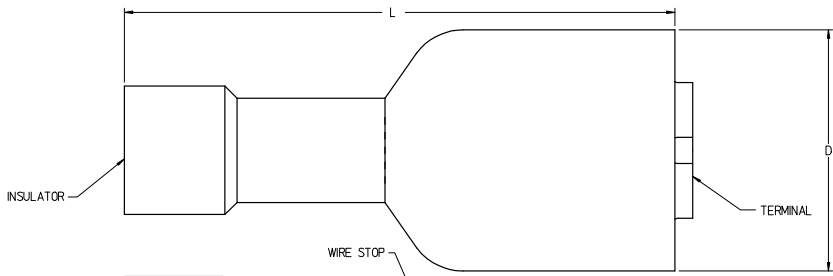


MATERIAL NO. LOOSE PC	ENGINEERING NO. LOOSE PC	MATERIAL NO. ON TAPE	ENGINEERING NO. ON TAPE	WIRE SIZE	INSULATOR COLOR	ID MIN REF	MWID	D MAX	L MAX	H NOMINAL	BARE TAB POSITION
190130025	AA-2317	190130026	AA-2317T	22-18 AWG	RED	.056/1.42	.138/3.50	.380/9.65	.860/21.84	54/13.7	AWAY FROM TAPE
190130029	BB-2318	190130030	BB-2318T	16-14 AWG	BLUE	.081/2.06	.159/4.04	.380/9.65	.860/21.84	54/13.7	AWAY FROM TAPE
190130033	C-2319	190130034	C-2319T	12-10 AWG	YELLOW	.147/3.73	.277/7.03	.380/9.65	1.030/26.162	57/14.4	TOWARD TAPE



PARTS ON TAPE (SCALE 2:1)

- NOTES
1. TERMINAL MATERIAL: BRASS
  2. TERMINAL FINISH: TIN PLATED
  3. INSULATOR MATERIAL: NYLON
  4. MWID = MAXIMUM WIRE INSULATION DIAMETER.
  5. ASSEMBLY IS ROHS COMPLIANT.

ADD TAPE DIAGRAM EC NO: WVA 2008-0032 DRAWN: THRODDAHL 2008/02/14 CHKD: JMA/NEIL 2008/03/11 APPR: JMA/NEIL 2008/03/11	QUALITY SYMBOLS ▽=0 ▽=0	GENERAL TOLERANCES (UNLESS SPECIFIED)		DIMENSION STYLE IN/MM	SCALE 10:1	DESIGN UNITS INCH	THIRD ANGLE PROJECTION				
		4 PLACES ± --- ± ---	3 PLACES ± --- ± ---	2 PLACES ± --- ± ---	1 PLACE ± --- ± ---	ANGULAR ± --- °	DRAWN BY BRE 2003/03/19	CHECKED BY HEB 2003/03/19	APPROVED BY RWD 2003/03/19	TITLE PIGGYBACK FIQD, .250 X .032 TAB, INSULKRIMP	MATERIAL NO. SD-19013-001
DRAFT WHERE APPLICABLE MUST REMAIN WITHIN DIMENSIONS		SEE CHART		MOLEX INCORPORATED		THIS DRAWING CONTAINS INFORMATION THAT IS PROPRIETARY TO MOLEX INCORPORATED AND SHOULD NOT BE USED WITHOUT WRITTEN PERMISSION					