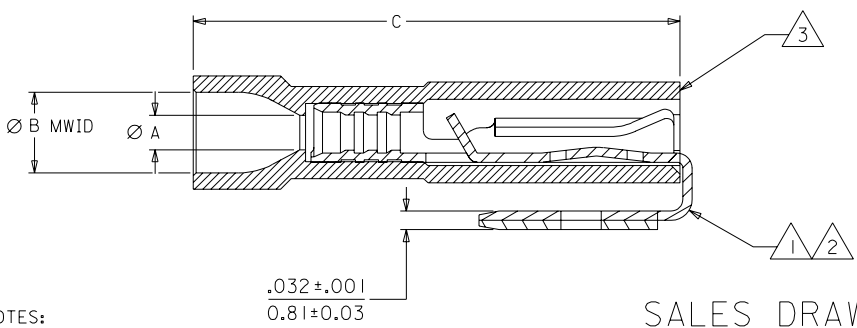
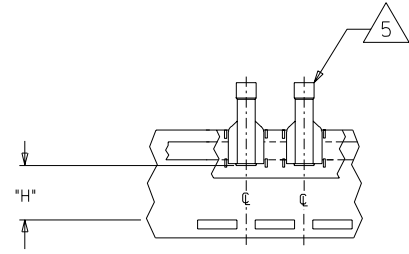
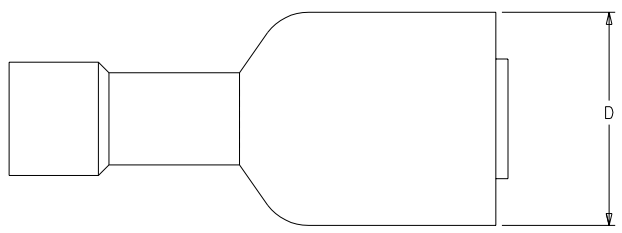


MATERIAL NUMBER	ENGINEERING NUMBER	MATERIAL NUMBER	ENGINEERING TAPE NUMBER	WIRE SIZE	INSULATION COLOR	A MAX	4 B MWID	C	D	H
190130001	AA-2317	190130002	AA-2317T	22-18 AWG	RED	.062/(1.57)	.140/(3.56)	.85/(21.6)	.37/(9.4)	.540/13.7
190130005	BB-2318	190130006	BB-2318T	16-14 AWG	BLUE	.087/(2.21)	.165/(4.19)	.85/(21.6)	.37/(9.4)	.540/13.7
190130018	C-2319	190130016	C-2319T	12-10 AWG	YELLOW	.155/(3.94)	.280/(7.11)	1.02/(25.9)	.36/(9.1)	.565/14.5



NOTES:

- 1. TERMINAL MATERIAL: BRASS
- 2. TERMINAL FINISH: ELECTRO-TIN
- 3. INSULATION: NYLON
- 4. MWID = MAXIMUM WIRE INSULATION DIAMETER
- 5. MOUNTED WITH BARE TAB TO TAPE.

.032±.001
0.81±0.03

SALES DRAWING

WAS CD-2909 EC NO. E12003-0225 DRAWN BY BRE CHK: HEB APPR: RWD	QUALITY SYMBOLS MAJOR CRITICAL	GENERAL TOLERANCES: (UNLESS SPECIFIED)		SCALE NO: NE	DESIGN UNITS <input type="checkbox"/> mm <input checked="" type="checkbox"/> INCH	THIRD ANGLE PROJECTION	DIMENSIONS: <input type="checkbox"/> mm <input checked="" type="checkbox"/> INCH	SHT REV
		4 PLACES ±0. ±.	DRAWN BY & DATE BRE 03/03/19	TITLE: INSULKRIMP FIOD PIGGYBACK .250 X .032 TAB SIZE		REVISE ON CAD ONLY		
		3 PLACES ±0. ±.005	CHECKED BY & DATE HEB 03/03/19	MOLEX INCORPORATED		MATERIAL NO. SEE CHART		
		2 PLACES ±0.13 ±.01	APPROVED BY & DATE RWD 03/03/19	CAD FILENAME SD-19013-001 .DGN	DRAWING NO. SD-19013-001	SHEET NO. B		
1 PLACE ±0.25 ±.	ANGULAR: ±1/2 °	DRAFT WHERE APPLICABLE MUST REMAIN WITHIN DIMENSIONS		THIS DRAWING CONTAINS INFORMATION THAT IS PROPRIETARY TO MOLEX INCORPORATED AND SHOULD NOT BE USED WITHOUT WRITTEN PERMISSION.		SIZE B		