

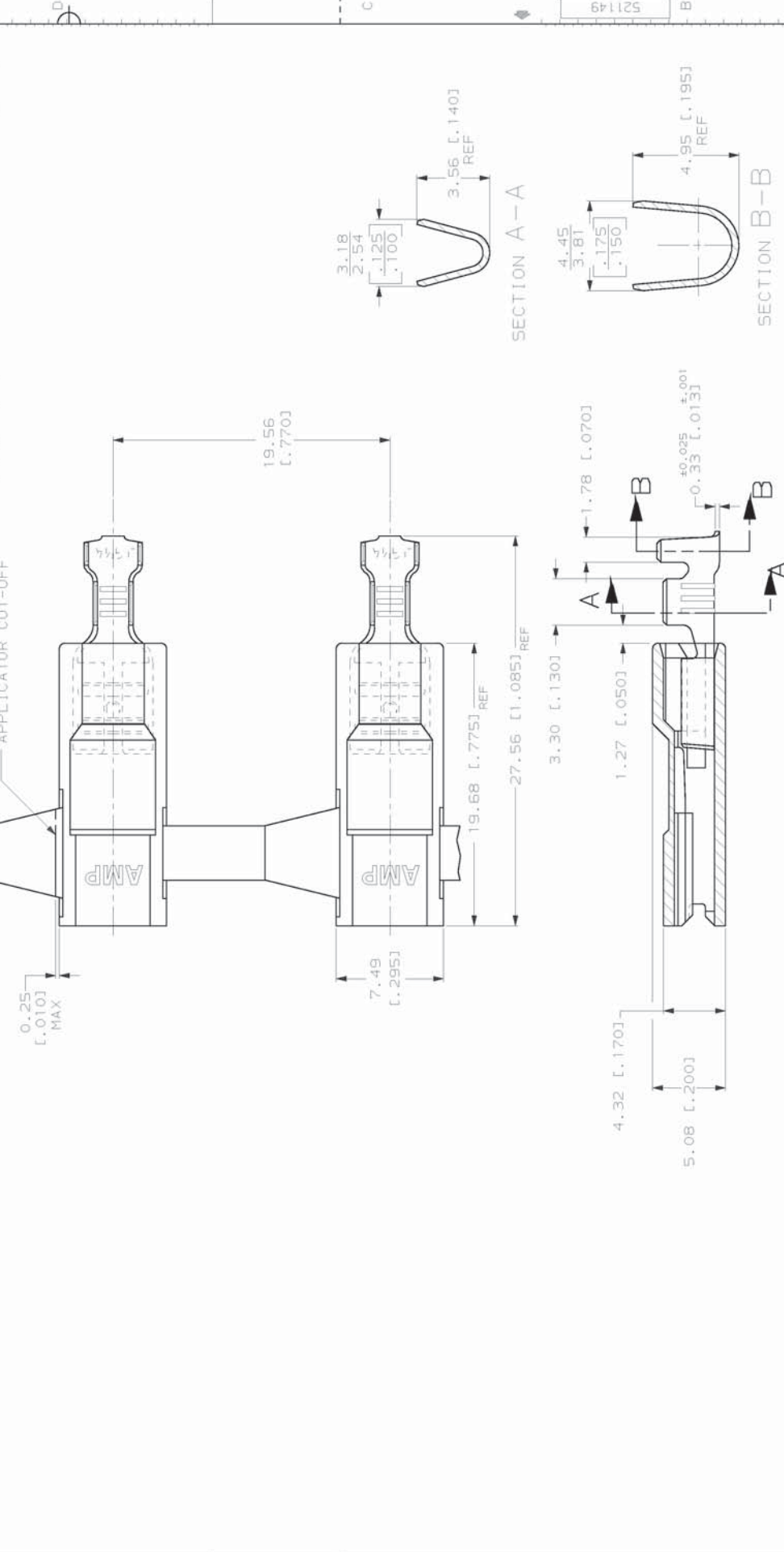
4 DRAWING MADE IN THIRD ANGLE PROJECTION
 THIS DRAWING IS UNPUBLISHED. RELEASED FOR PUBLICATION
 BY AMP INCORPORATED. ALL INTERNATIONAL RIGHTS RESERVED. .19

3

2

1

REV	DATE	APPD	DESCRIPTION
1	27APR00	JR/PPD	REV PER 063A-0266-00



STANDARD	TIN	INSULATION RANGE	WIRE SIZE	PART NO
	2.29-3.30 [.090-.130] DIA	[#20-#16] AWG	0.508±0.025 [.020±.001]	521149-2
PACKAGING	FINISH	TERMINAL	MATING TAB THICKNESS	
DO NOT SCALE PRINT. UNLESS SPECIFIED DIMENSIONS IN mm (INCHES) TOLERANCES ON 2 PL DEC ± 0.25 (.010) ANGLES ±	DR 8/13/97 JR RUTH CHK 8/13/97 MS FEHER APPD 8/13/97 J MORRIS D BRATINA	TERMINAL - H04 BRASS HOUSING - 6/6 NYLON	AMP INCORPORATED Hartland, Pa. 17105	
NAME				
ASSEMBLY, RECEPTACLE, ULTRA-POD, 4.75 [1.87] SERIES				
FINISH	APPLICATION SPEC	WEIGHT	SCALE	SHEET
TERMINAL - SEE TABLE HOUSING - NATURAL	114-2124	5.1	5:1	10F1
CAGE CODE		DRAWING NO		
00779		521149		

- FASTON TERMINALS, BASE P/N 1217017, IS USED IN THIS PRODUCT.
- TIN PLATE PER MIL-T-10727 0.002032 [.000080] MIN.