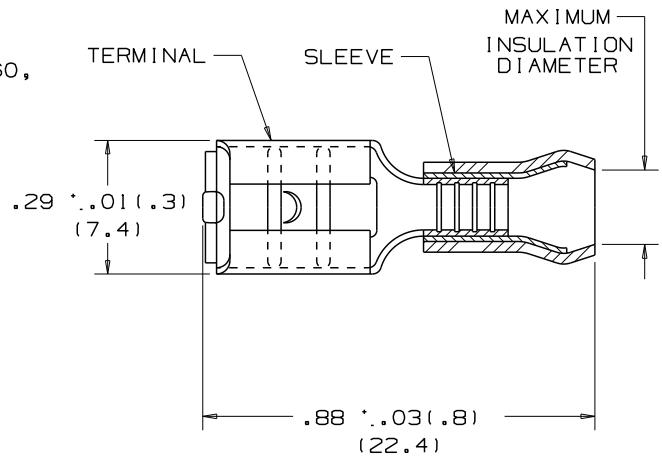
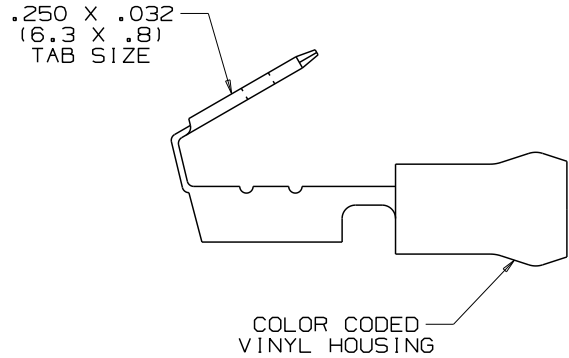


THIS COPY IS PROVIDED ON A RESTRICTED BASIS AND IS NOT TO BE USED IN ANY WAY DETRIMENTAL TO THE INTERESTS OF PANDUIT CORP.

PANDUIT PART NO.	PK	HOUSING COLOR	WIRE RANGE	MAX INSUL DIAMETER
DV18-250P	-LY -MY	RED	#22-18	.13 (3.3)
DV14-250P	-L -M	BLUE	#16-14	.16 (4.1)

NOTES:

- 300 V. MAX. VOLTAGE RATING
- 194° F (90° C) MAX. TEMP. RATING
- FOR STRANDED COPPER WIRE ONLY -  
WIRE STRIP LENGTH  $1/4" +1/32"_{-0}$  (6.3<sup>+0.8</sup><sub>-0</sub>)
- PACKAGE QTY: STD. PKG. -L, -LY=100  
BULK PKG. -M, -MY=1000
- RECOMMENDED INSTALLATION TOOLS: CT-100, CT-160,  
CT-250, CT-500, CT-550
- DIMENSIONS IN BRACKETS ARE IN MILLIMETERS



08	9/09	BCT	BCT	REINSTATED DV18-250P-MY						 TINLEY PARK, ILLINOIS .250 VINYL INSUL. PIGGYBACK DISCONNECT FOR #22-18 AND #16-14 AWG WIRE SIZES	
07	8/09	BCT	BCT	REMOVED DV18-250P-MY							
06	8/09	BCT	BCT	MODIFIED PKG CODES TO -LY AND -L							
05	7/06	DAW	DAW	ADDED -CY, -MY PACKAGE QTY. FOR DV18-250P	TRO0145						
REV	DATE	BY	CHK	DESCRIPTION	ECN #	CUST	PM	DRAWN BY DAW	CHK'D		SCALE NONE