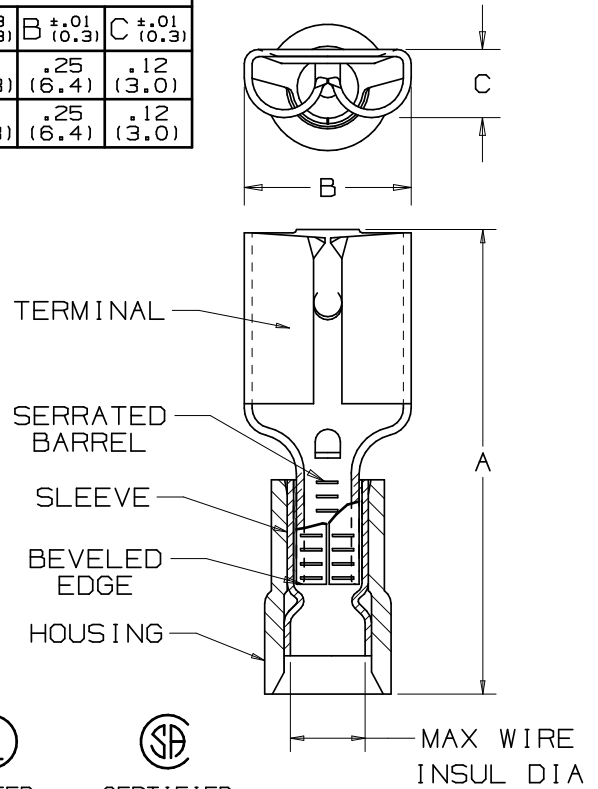


THIS COPY IS PROVIDED ON A RESTRICTED BASIS AND IS NOT TO BE USED IN ANY WAY DETRIMENTAL TO THE INTERESTS OF PANDUIT CORP.

PART NUMBER		TAB SIZE	WIRE RANGE AWG (mm ²)	HOUSING COLOR	MAX INSUL DIA	DIMENSIONS in		
PREFIX	PKG					A ±.03 (0.8)	B ±.01 (0.3)	C ±.01 (0.3)
DNF18-205	-C -M	.187/.205 X .032 (4.8/5.2 X 0.8)	22-18 (1.5-1.0)	RED	.137 (3.48)	.76 (19.3)	.25 (6.4)	.12 (3.0)
DNF14-205	-C -M	.187/.205 X .032 (4.8/5.2 X 0.8)	16-14 (1.5-2.5)	BLUE	.162 (4.11)	.76 (19.3)	.25 (6.4)	.12 (3.0)

NOTES:

- UL LISTED AND CSA CERTIFIED FOR:
 - 300V. MAX. VOLTAGE RATING
 - STRANDED COPPER WIRE ONLY
 - 194° F (90° C) MAX. TEMP. RATING
- PACKAGE QTY: STD. PKG. -C= 100
BULK PKG. -M= 1000
- MATERIAL:
 - STAMPING: .016 (0.41) THK BRASS, TIN PLATED
 - SLEEVE: BRASS, TIN PLATED
 - HOUSING: NYLON
- WIRE STRIP LENGTH $9/32 \begin{matrix} +1/32 \\ -0 \end{matrix}$ (7.1 $\begin{matrix} +0.8 \\ -0 \end{matrix}$)
- INITIAL INSERTION FORCE - 12 LB. (53 N) MAX
INITIAL WITHDRAWAL FORCE - 12 LB. (53 N) MAX
6 LB. (27 N) MIN
- INSTALLATION TOOLS:
 - UL LISTED AND CSA CERTIFIED: CT-500
 - PANDUIT APPROVED: CT-100, CT-160, CT-260, CT-400, CT-460 (DNF14-187 ONLY), CT-550, CT-1550, CT-1551.
- DIMENSIONS IN BRACKETS ARE IN MILLIMETERS OR mm²



UL LISTED 20H3 E78522

CSA CERTIFIED LR31212

A41585_03

03	2/07	DAW	DAW	ADDED DUALTAB SIZE INFORMATION	TR00210	LCA	TRO	<p>TINLEY PARK, ILLINOIS</p> <p>NYLON INSULATED FEMALE DISCONNECT, FUNNELED WIRE ENTRY (.205 SERIES)</p>
02	7/03	KLFU	SKB	ADDED INTERNAL SERRATIONS REMOVED SLOTS	12453	SKB	TRO	
01	1/01	RM	SKB	FILESPEC WAS N41585AA_PCD_00	8933	JAC	CCH	
00	1/96	ED		RELEASED	03870			
REV	DATE	BY	CHK	DESCRIPTION	ECN #	CUST	PM	DRAWN BY EJD CHK'D SCALE NONE DRAWING NO. A41585