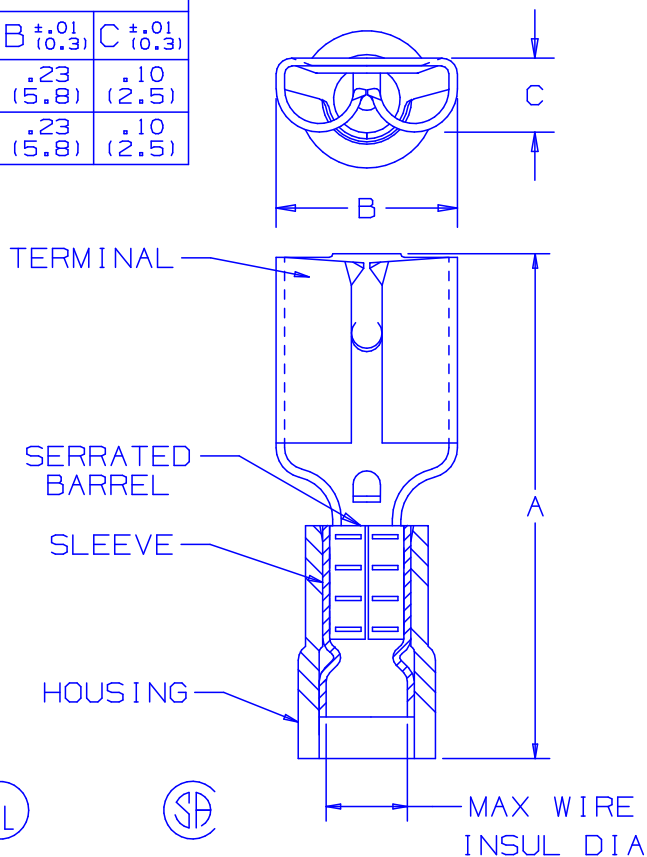


THIS COPY IS PROVIDED ON A RESTRICTED BASIS AND IS NOT TO BE USED IN ANY WAY DETRIMENTAL TO THE INTERESTS OF PANDUIT CORP.

PART NUMBER		TAB SIZE	WIRE RANGE AWG (mm ²)	HOUSING COLOR	MAX INSUL DIA	DIMENSIONS in		
PREFIX	PKG					A ± 0.03 (0.8)	B ± 0.01 (0.3)	C ± 0.01 (0.3)
DNF18-188	-C -M	.187 x .020 (4.8 x 0.5)	22-18 (.5-1.0)	RED	.137 (3.48)	.76 (19.3)	.23 (5.8)	.10 (2.5)
DNF14-188	-C -M	.187 x .020 (4.8 x 0.5)	16-14 (1.5-2.5)	BLUE	.162 (4.11)	.76 (19.3)	.23 (5.8)	.10 (2.5)

NOTES:

- UL LISTED AND CSA CERTIFIED FOR:
 - 300V. MAX. VOLTAGE RATING
 - STRANDED COPPER WIRE ONLY
 - 194° F (90° C) MAX. TEMP. RATING
- PACKAGE QTY: STD. PKG. -C= 100
BULK PKG. -M= 1000
- MATERIAL:
 - STAMPING: .016 (0.4) THK BRASS, TIN PLATED
 - SLEEVE: BRASS, TIN PLATED
 - HOUSING: NYLON
- WIRE STRIP LENGTH $9/32 \begin{matrix} +1/32 \\ -0 \end{matrix}$ (7.1 $\begin{matrix} +0.8 \\ -0 \end{matrix}$)
- INITIAL INSERTION FORCE - 12 LB. (53 N) MAX
INITIAL WITHDRAWAL FORCE - 12 LB. (53 N) MAX
6 LB. (27 N) MIN
- INSTALLATION TOOLS:
 - UL LISTED AND CSA CERTIFIED: CT-500
 - PANDUIT APPROVED: CT-100, CT-160, CT-260, CT-400, CT-460 * (*FOR DNF14-188 ONLY) CT-1551, CT-1550
- DIMENSIONS IN BRACKETS ARE IN MILLIMETERS OR mm²



LISTED
20H3
E78522



CERTIFIED
LR31212

A41313_09

09	1/02	SAC		REMOVED SLOTS & WIRE RANGE FOR DNF18-188 WAS (.38-1.0)			
08	1/01	RM	SKB	FILESPEC WAS N41313AA_PCD_07	08925	JAC	CCH
07	3/99	JKD		ADDED CT-1551 & CT-1550 TOOLS	07632		
06	7/95	MC	RLS	UPDATED NOTES AND DIMENSIONS	03433	KS	TJP
REV	DATE	BY	CHK	DESCRIPTION	ECN #	CUST	PM

PANDUIT

CORP

TINLEY PARK, ILLINOIS

NYLON INSULATED FEMALE DISCONNECT,
FUNNELED WIRE ENTRY (.188 SERIES)

DRAWN BY DAW CHK'D SCALE NONE DRAWING NO. A41313