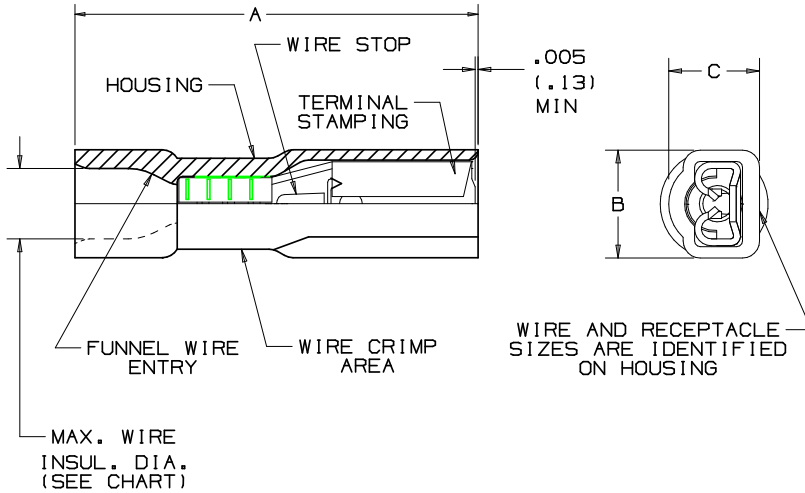


THIS COPY IS PROVIDED ON A RESTRICTED BASIS AND IS NOT TO BE USED IN ANY WAY DETRIMENTAL TO THE INTERESTS OF PANDUIT CORP.



**NOTES:**

1. UL LISTED AND CSA CERTIFIED FOR:
  - A. 600V MAX VOLTAGE RATING
  - B. 257°F (125°C) MAX TEMP RATING (UL)
  - 221°F (105°C) MAX TEMP RATING (CSA)
  - C. STRANDED COPPER WIRE ONLY
2. 6-12 LBS INITIAL INSERTION/WITHDRAWAL FORCE
3. PACKAGE QTY: -M=1000 PIECES, -C=100 PIECES
4. MATERIAL:
  - A. STAMPING: TIN PLATED BRASS
  - B. HOUSING: TYPE 6/6 NYLON
5. DIMENSIONS IN BRACKETS ARE IN mm OR mm<sup>2</sup>
6. NYLON HOUSING IS TRANSLUCENT
7. INSTALLATION TOOLS:
  - A. UL & CSA APPROVED: CT-520, CT-1525 (UTILIZE CT-1525 CRIMP POCKET "A")
  - B. PANDUIT APPROVED: CT-100
8. WIRE STRIP LENGTH 9/32 <sup>+1/32</sup> <sub>-0</sub> (7.1 <sup>+8</sup> <sub>-0</sub>)

PART NUMBER		TAB SIZE	WIRE RANGE AWG (MM <sup>2</sup> )	HOUSING COLOR (NOTE 6)	MAX. INSUL. DIA.	DIMENSIONS in.		
PREFIX	PK					A <sup>±.03</sup> (.8)	B <sup>±.015</sup> (.4)	C <sup>±.015</sup> (.4)
DNF18-110F1B	-C -M	.110 X .032 (2,8 X 0,8)	22-18 (0,38-1,0)	RED	.12 (3,0)	.71 (18,0)	.19 (4,8)	.16 (4,1)
DNF18-111F1B	-C -M	.110 X .020 (2,8 X 0,5)	22-18 (0,38-1,0)	RED	.12 (3,0)	.71 (18,0)	.19 (4,8)	.16 (4,1)



A41544\_04

04	2/07	DAW	DAW	ADDED POCKET "A" NOTE TO CT-1525	TR00220	LCA	TRO	 TINLEY PARK, ILLINOIS LOOSE PIECE, NYLON, FULLY INSULATED FEMALE DISCONNECTS .110 X .032, .110 X .020 TAB SIZES
03	7/03	KLFU	SKB	UPDATED DRAWING	12453	SKB	TRO	
02	5/98	TM	JW	ADDED CT-1525 TO TOOL NOTES	06872	LA	DBH	
01	10/94	TH	RLS	UPDATED NOTES AND DIMENSIONS	02550	LA	KS	
REV	DATE	BY	CHK	DESCRIPTION	ECN#	CUST	PM	DRAWN BY: BDK CHK'D: RLS SCALE: NONE DRAWING NO./CADD FILENAME: 41544A