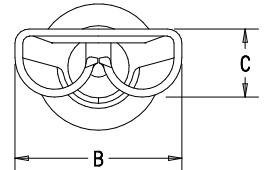


THIS COPY IS PROVIDED ON A RESTRICTED BASIS AND IS NOT TO BE USED IN ANY WAY DETRIMENTAL TO THE INTERESTS OF PANDUIT CORP.

Part number		Wire range AWG (mm ²)	Tab size	Housing color	Max. Wire Insul. Dia.	Dimensions (in.)		
Prefix	PK					A $\pm_{10.41}^{+0.15}$	B $\pm_{10.31}^{+0.10}$	C $\pm_{10.31}^{+0.10}$
DV18-187B	-C -M -MY	22-18 (.5-1.5)	.187 X .032 (4.8 X 0.8)	Red	.150 (3.81)	.75 (19.1)	.23 (5.8)	.10 (2.5)
* DV14-187B	-C -M	16-14 (1.5-2.5)	.187 X .032 (4.8 X 0.8)	Blue	.170 (4.32)	.75 (19.1)	.23 (5.8)	.10 (2.5)
DV18-188B	-C -M -MY	22-18 (.5-1.5)	.187 X .020 (4.8 X 0.5)	Red	.150 (3.81)	.76 (19.3)	.23 (5.8)	.10 (2.5)
* DV14-188B	-C -M	16-14 (1.5-2.5)	.187 X .020 (4.8 X 0.5)	Blue	.162 (4.11)	.79 (20.1)	.23 (5.8)	.10 (2.5)



Notes:

1. Used for:

- A. Stranded copper wire only
- B. 221°F (105°C) maximum temperature rating
- C. 600V maximum voltage rating

2. Package quantity:

- A. Standard: -C = 100
- B. Bulk : -M = 1000, -MY = 1000

3. Material:

- A. Stamping: .016 (0.41) thick tin plated brass
- B. Housing : Vinyl

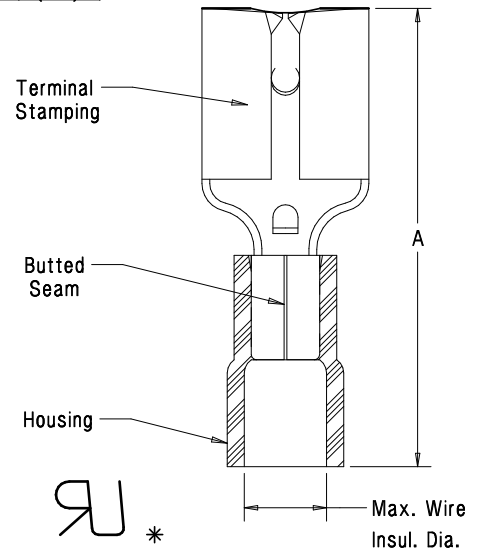
4. Wire strip length: $\frac{1}{4} \begin{matrix} +1/32 \\ -0 \end{matrix} \begin{matrix} +0.8 \\ -0 \end{matrix}$ (6.3)

5. Initial insertion force :12 LB (53N) maximum
Initial withdrawal force: 12 LB (53N) maximum
6 LB (27N) minimum

6. Installation tool: CT-520, CT-1525

- A. U.L. Listed & CSA Certified
- B. U.L. Recognized

7. Dimensions in brackets are in millimeters or mm²



A41554_05

05	12/06	DAW	DAW	DV18-188B .150 MAX. WIRE INSUL. DIA. WAS .136. .76 "A" LGTH. WAS .79. REMOVED CUTOFF TAB FROM DISCONNECT ILLUSTRATION	TR00190	TR0	LA	 TINLEY PARK, ILLINOIS Vinyl insulated barrel female disconnect butted seam (.187 tab size)	
04	6/06	DAW	DAW	REMOVED MAX. AMPERAGE NOTE	TR00134	TR0	LA		
03	5/05	JHNU	LA	ADDED PACKAGING CODE "MY" TO DRAWING.	012743	TR0	LA		
02	5/98	TM	JW	ADDED CT-1525 TO TOOL NOTE	06872	TK	LA		
REV	DATE	BY	CHK	DESCRIPTION	ECN	PM	DUST		CAD FILE A41554_05