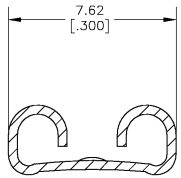


THIS DRAWING IS UNPUBLISHED. RELEASED FOR PUBLICATION  
 © COPYRIGHT BY TYCO ELECTRONICS CORPORATION. ALL RIGHTS RESERVED.

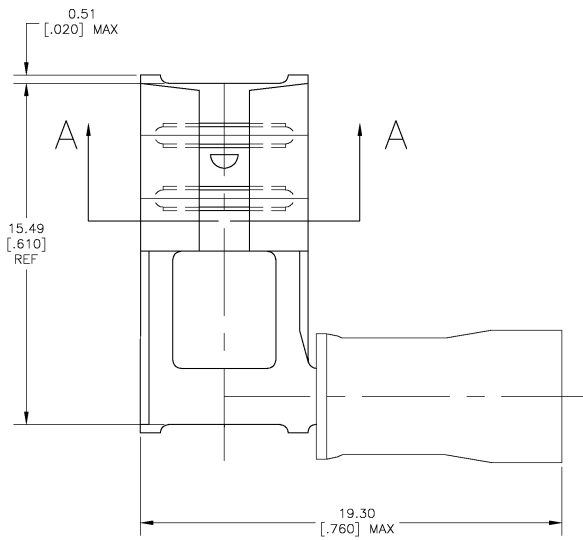
| LOC | DIST | REVISIONS             |         |       |
|-----|------|-----------------------|---------|-------|
| P   | LTR  | DESCRIPTION           | DATE    | BY    |
| G   | 86   |                       |         |       |
| C   |      | REV PER ECR 05-001479 | 13APRO5 | JR TM |

**AMP WIRE RANGE**  
 0.3-1.0 mm<sup>2</sup>  
 [22-18] AWG  
 STRANDED

- 1 WIRE INSULATION O.D. IS 2.67-3.56 [.105-.140].
- 2 FITS TAB 6.35±0.08 X 0.81±0.025 [.250±.003 X .032±.001].
- 3 MATERIAL: BODY - 0.41 [.016] BRASS  
 SLEEVE - COPPER  
 INSULATION - NYLON
- 4 FINISH: BODY - TIN-PLATED  
 SLEEVE - NICKEL PLATED  
 INSULATION - COLOR RED



SECTION A-A



|      |              |          |
|------|--------------|----------|
| 1000 | LOOSE PIECE  | 156667-1 |
| QTY  | PACKAGE TYPE | PART NO. |

|   |           |                           |  |
|---|-----------|---------------------------|--|
| THIS DRAWING IS A CONTROLLED DOCUMENT.  |           | DRW: JR_RUTH 0300102      | Tyco Electronics Corporation<br>Harrisburg, Pa 17105-3608  |
| DIMENSIONS: INCHES  |           | CHK: MICHELLETTI 0300102  |  |
| DIMENSIONS: MILLIMETERS<br>0 PLG ± .005<br>1 PLG ± .005<br>2 PLG ± .005<br>3 PLG ± .005<br>4 PLG ± .005<br>ANGLES ± .5° |           | APPD: MICHELLETTI 0300102 |  |
| MATERIAL: -   | FINISH: - | APPLICATION SPEC: -       | RECEPTACLE, 250 SERIES FLAG FASTON,<br>PIDG, WIRE SIZE 22-18 AWG<br>SIZE CASE CODE DRAWING NO<br>A2 00779 C=156667<br>RESTRICTED TO: - |
| CUSTOMER DRAWING  |           | WEIGHT: -                 | SCALE: 1:1 SHEET 1 OF 1 REV C  |