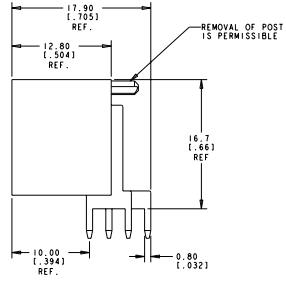
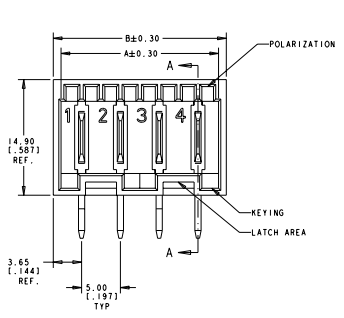
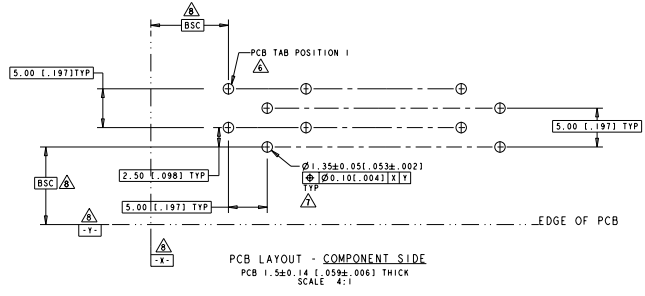
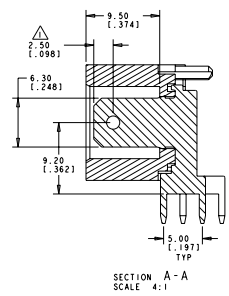
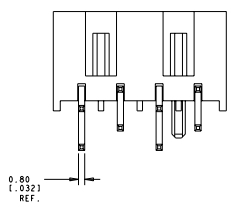


REV	DATE	DESCRIPTION	BY	CHK	APP
A	REV PER 003A-0997-04		STANBROOK	RCT	RL
B	REVISED PER 003A-0156-05		STANBROOK	MF	RL
B1	REVISED PER ECR-00-006420		STANBROOK	MF	RL
C	REVISED PER ECR-00-006446		STANBROOK	JMR	RL



- △ HOUSING HAS RAST 5 COMPLIANT KEYING, LATCHING, AND POLARIZATION. TAB IS 6.3 x 0.8 (250 ± .032). HOWEVER, THE LOCATION OF THE TAB HOLE DOES NOT MEET DIN 46244.
- 2. POSSIBLE TYCO MATING CONNECTOR FAMILIES INCLUDE POSITIVE-LOCK RAST 5, STANDARD TIMER RAST 5, MULTIFITTING, MULTIFITTING M111, AND MONO-SHAPE TAB CONNECTORS.
- 3. SEE SHEET 2 FOR AVAILABLE CONFIGURATIONS.
- △ MATERIAL: HOUSING, NYLON 66, UL 94V-0, CONTACT, BRASS, 0.8 mm THICK.
- △ FINISH: CONTACTS, 3.8 μm MIN TIN OVER 1.3 μm MIN NICKEL.
- △ PCB TABS INSERTED IN A STAGGERED PATTERN BEGINNING WITH POSITION 1.
- △ SELECTED HOLES MAY BE 1.05±0.05/0.00 DIA (Ø11-005/-001 DIA) FOR IMPROVED (PRESS-FIT) RETENTION TO P.C.B. PRIOR TO SOLDERING.
- △ DATUM AND BASIC DIMENSION ESTABLISHED BY CUSTOMER.
- 9. PRODUCT QUALIFICATION PER 108-2183
- △ PRELIMINARY - NOT FOR PRODUCTION



47.3	45.3	9
42.3	40.3	8
37.3	35.3	7
32.3	30.3	6
27.3	25.3	5
22.3	20.3	4
17.3	15.3	3
12.3	10.3	2
B	A	NO. OF POS.

DATE: 02/08/2004	BY: PCB ELECTRONICS CORPORATION	REV: 02/08/2004	ASSEMBLY, POSITIVE-LOCK, RAST 5, HEADER, RIGHT ANGLE
SCALE: 4:1	STATE: PA	CITY: HARRISBURG	ZIP: 17105-3600
CUSTOMER DRAWING	00778	©-521384	1 OF 1

8 7 6 5 4 3 2 1

DATE DRAWING TO BE PUBLISHED RECEIVED FOR PUBLICATION

BY TECH ELECTRONICS CORPORATION, ALL RIGHTS RESERVED

REV	DATE	DESCRIPTION	BY	CHK	APP
AF	50	SEE SHEET 1			

REV	DATE	DESCRIPTION	BY	CHK	APP
2-3, 7-8	2c, 8d	3b, 8a	9	-	3-521384-9
1-2, 4-5, 6-7, 8-9	1c, 2d, 7d, 8c	1b, 2a, 4b, 5a, 8b, 9b	9	-	3-521384-9
1-2, 6-7	3d, 7d	5b	9	09-D	3-521384-9
2-3, 7-8	2c, 8d	2b, 5a	9	09-C	3-521384-9
2-3, 7-8	2c, 3d, 7c	8b	8	08-C	2-521384-8
1-2, 3, 4, 5-6, 7-8	3c, 6d	4a, 6b	8	-	1-521384-8
1-2, 7-8	2d, 3c, 6d, 7c	-	8	08-D	521384-8
1-2, 5-6	3d, 7d	3a, 4a	7	-	3-521384-7
1-2, 5-6	3c, 4d, 7c	1a, 6b	7	-	2-521384-7
1-2, 4-5, 6-7	3c, 5d, 6c, 7d	1a, 2a, 4a, 4b, 5b, 6a, 8b, 7a	7	-	1-521384-7
1-2, 6-7	3d, 7d	5b	7	07-C	521384-7
1-2, 5-6	4d	2b, 6b	6	06-D	1-521384-6
1-2, 4-5	3c, 6d	1b	6	06-A	521384-6
1-2, 3-4	1c, 2d, 3c, 5d	1a, 5b	5	-	3-521384-5
2-3	3d, 4c	1a, 5b	5	-	2-521384-5
1-2, 3-4	2d, 5d	2b	5	-	1-521384-5
1-2, 4-5	2d	2b	5	05-B	521384-5
1-2, 3-4	2d, 3c	1b, 2a, 2b, 3b, 4b	4	-	5-521384-4
1-2, 3-4	2d	2a, 4b	4	04-G	4-521384-4
1-2, 3-4	4d	1a, 3a	4	04-F	3-521384-4
1-2, 3-4	4d	1a, 4b	4	04-C	2-521384-4
1-2, 3-4	1c	1a, 4b	4	04-B	1-521384-4
1-2, 3-4	3c, 4d	1b	4	04-A	521384-4
2-3	1d, 3d	3b	3	-	3-521384-3
1-2	3c	1a	3	03-D	2-521384-3
2-3	1d, 2c	2b, 3b	3	03-B	1-521384-3
1-2	1c, 2d	1b	3	03-A	521384-3
1-2	1c, 2d	2b	2	02-P	6-521384-2
1-2	1c	1b, 2b	2	02-I	5-521384-2
1-2	2d	1b, 2a, 2b	2	02-G	4-521384-2
1-2	2d	1a, 2b	2	02-E	3-521384-2
1-2	1c, 2d	2a	2	02-C	2-521384-2
1-2	1c	1a, 2b	2	02-B	1-521384-2
1-2	1c, 2d	1b, 2a	2	02-A	521384-2

LATCH WINDOWS		KEYING	POLAR.	NO. OF POS.	RAST. 5 DESIG.	PART NUMBER
DRAWING NO. 020002004		DATE 02/07/93	BY 100-2183	REV. 1	ASSEMBLY, POSITIVE-LOCK, RAST 5, HEADER, RIGHT ANGLE	00779
MATERIAL		FINISH	QUANTITY	UNIT	REMARKS	
CUSTOMER DRAWING						

