

4

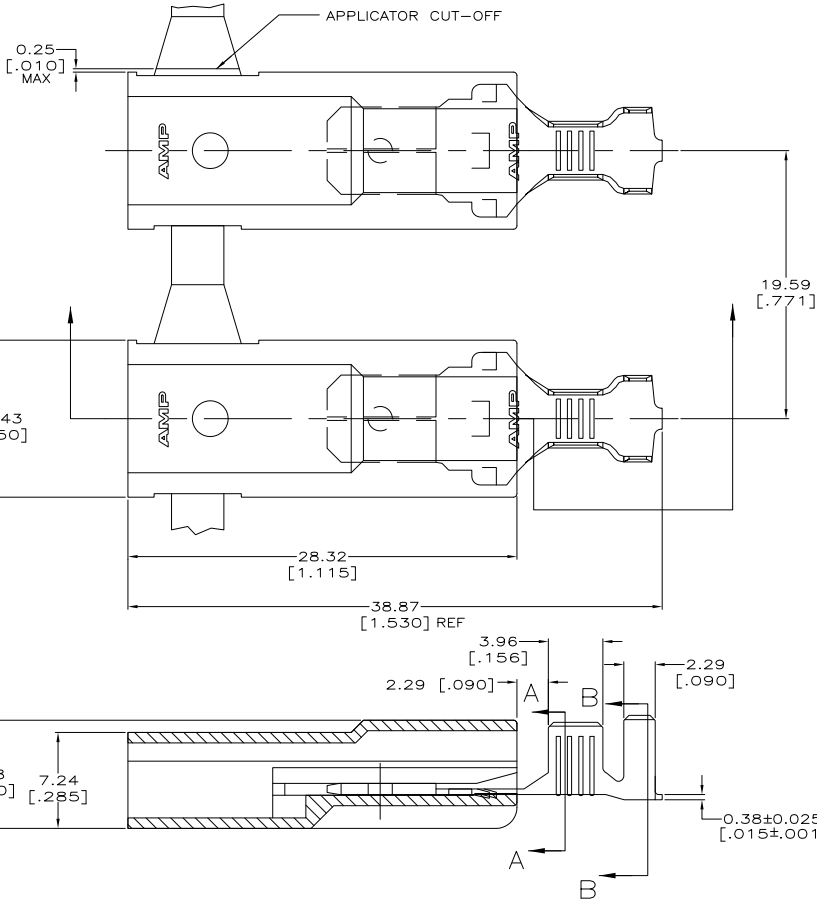
3

2

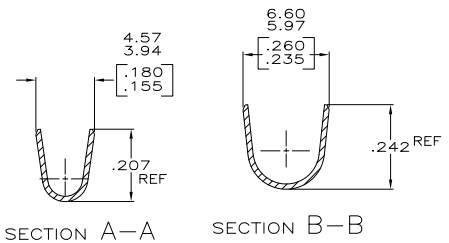
1

THIS DRAWING IS UNPUBLISHED. RELEASED FOR PUBLICATION. BY TYCO ELECTRONICS CORPORATION. ALL INTERNATIONAL RIGHTS RESERVED.

LOC	DIST	REVISIONS				
		F	LR	DATE	BY	APPD
AF	50	E1		REVISED PER ECR-09-013571	16 JUN 09	HMR GP



- 1 FASTON TAB BASE #1217247, ARE USED IN THIS PRODUCT.
- 2 WIRE SIZE IS [#12-#10] AWG COPPER STRANDED.
- 3 INSULATION RANGE IS 3.81-5.08 [.150-.200] DIA.
- 4 MATES WITH A 6.35 X 0.81 [.250 X .032] RECEPTACLE.
- 5 MATERIAL & FINISH
TERMINAL - .082 BRASS, SEE TABLE
HOUSING - 6/6 NYLON, NATURAL
- 6 PRELIMINARY - NOT FOR PRODUCTION.



NICKEL PLATE	521227-3	6
TIN PLATED	521227-2	
-	521227-1	
FINISH	PART NO.	

THIS DRAWING IS A CONTROLLED DOCUMENT.

DESIGNED BY	J.R. RUTH	200C199
CHECKED BY	M.S. FEHRER	200C199
APPROVED BY	J. HUMMEL	200C199
DATE		
APPLICATION SPEC		
WEIGHT		

DIMENSIONS: mm [INCHES]
 TOLERANCES UNLESS OTHERWISE SPECIFIED:
 0 PLC ± .010
 1 PLC ± .015
 2 PLC ± .025 [.010]
 3 PLC ± .030
 4 PLC ± .040
 ANGLES ± .5°

MATERIAL: **5**
 FINISH: **9**

Tyco Electronics Corporation
 Harrisburg, PA 17105-3608
 ASSEMBLY, TAB, ULTRA-PDD,
 6.35 [.250] SERIES
 SIZE: A2 CASE CODE: C-521227 DRAWING NO: 521227
 CUSTOMER DRAWING SCALE: 5:1 SHEET: 1 of 1 REV: E1

1471-9 (1/08)

521227

A