

4

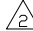
3

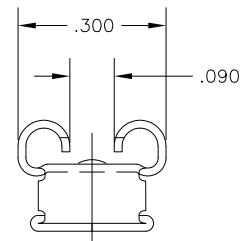
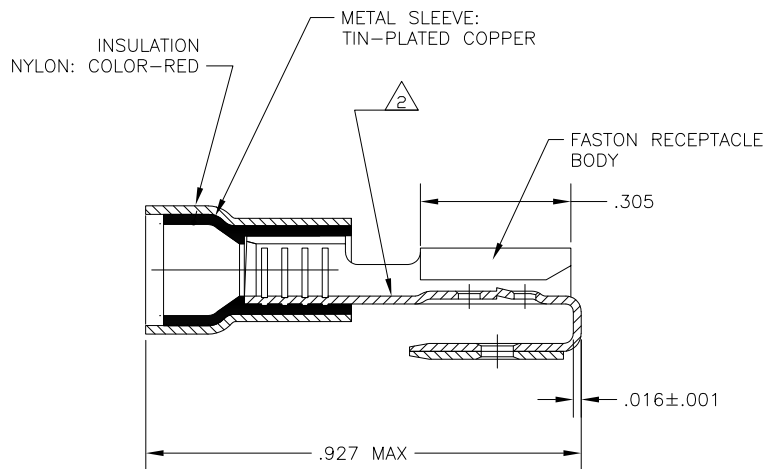
2

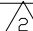
1


THIS DRAWING IS UNPUBLISHED. RELEASED FOR PUBLICATION
 © COPYRIGHT - By - ALL RIGHTS RESERVED.

LOC	DIST	REVISIONS			
P	LTR	DESCRIPTION	DATE	DWN	APVD
G	86				
	C2	REVISED PER ECO-11-004820	11MAR11	RK	HMR

- 1 MATING TAB THICKNESS .032
- 2  ASTERISK * FOR PHOS BRONZE ITEMS ONLY.
- 3 WIRE INSULATION DIA TO BE .140 MAX
- 4 MAX RECOMMENDED OPERATING TEMP IS 105°C OR 221°F
- 5 VOLTAGE RATING IS 300V MAX
- 6 CIRCULAR MIL AREA 0.3-1.5mm² [592-2960]



TIN PLATING	PHOS BRONZE 	160834-5
TIN PLATING	BRASS	160834-2
FINISH - TERMINAL	FASTON RECEPTACLE MATERIAL	PART NO

THIS DRAWING IS A CONTROLLED DOCUMENT.		DWN	22FEB06	 TE Connectivity	
DIMENSIONS: INCHES		CHK	22FEB06		
TOLERANCES UNLESS OTHERWISE SPECIFIED:		APVD	22FEB06		
0 PLC ± - 1 PLC ± - 2 PLC ± .02 3 PLC ± .008 4 PLC ± - ANGLES ± 0°30'		NAME			
MATERIAL		PRODUCT SPEC		250 SERIES P.I.D.G. FASTON REC, ASS'Y, PIGGYBACK, LOOSE PIECE WIRE SIZE: 22-16 AWG	
FINISH		APPLICATION SPEC		SIZE	RESTRICTED TO
SEE TABLE		WEIGHT		A3	
		CUSTOMER DRAWING		CAGE CODE	DRAWING NO
				00779	160834
				SCALE	SHEET
				5:1	1 OF 1
				REV	C2