

4

3

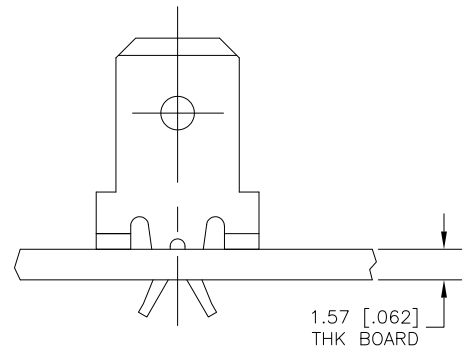
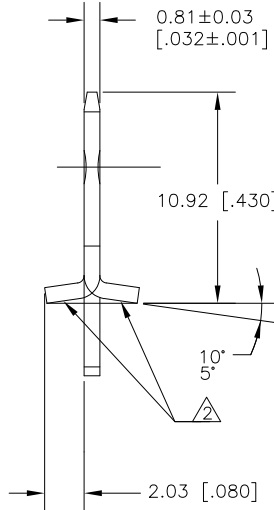
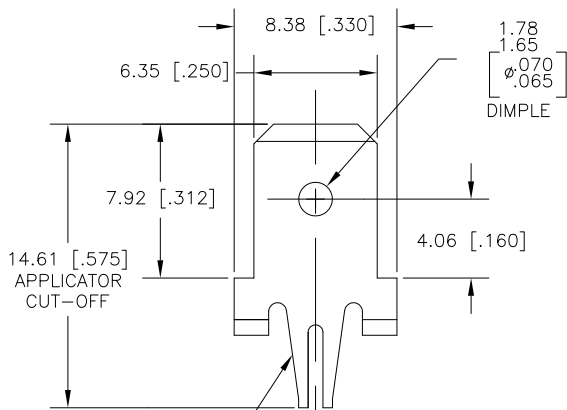
2

1

THIS DRAWING IS UNPUBLISHED. RELEASED FOR PUBLICATION
 © COPYRIGHT - By - ALL RIGHTS RESERVED.

LOC		DIST		REVISIONS			
P	LTR	DESCRIPTION		DATE	DWN	APVD	
AF	50	A1	REVISED PER ECO-11-005027		11MAR11	RK	HMR

- 1 SUPPLIED IN LOOSE PIECE.
- ⚠ STABILIZERS BENT IN OPPOSITE DIRECTION. BOTH STRIPS MUST BE IDENTICAL.
- ⚠ 0.00381 [.000150] MIN TIN PL OVER 0.00254 [.000100] MIN COPPER PL.



TERMINAL TO BE INSERTED INTO A 2.54 ± 0.05 [.100 ± .002] DIA HOLE IN PC BOARD

TERMINAL INSERTED AND CLINCHED IN PC BOARD

63066-1	63067-1
STRIP P/N	PART NO.

THIS DRAWING IS A CONTROLLED DOCUMENT.		DWN	JR RUTH	20FEB01	TE Connectivity TAB, FASTON, PC BOARD 6.35 [.250] SERIES				
DIMENSIONS: MM [INCHES]		CHK	MS FEHER	20FEB01					
TOLERANCES UNLESS OTHERWISE SPECIFIED: 0 PLC ± - 1 PLC ± - 2 PLC ± 0.38 [.015] 3 PLC ± - 4 PLC ± - ANGLES ± -		APVD	N DEIBERT	20FEB01					
MATERIAL 082 BRASS		FINISH		PRODUCT SPEC APPLICATION SPEC WEIGHT CUSTOMER DRAWING					
		SIZE	A3	CAGE CODE	00779	DRAWING NO	63067	RESTRICTED TO	-
		SCALE	5:1	SHEET	1 of 1	REV	A1		