

4

3

2

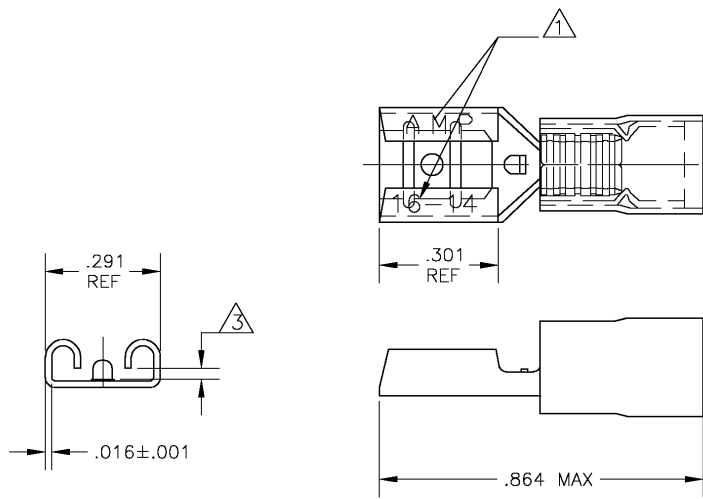
1

THIS DRAWING IS UNPUBLISHED. RELEASED FOR PUBLICATION  
 © COPYRIGHT - BY TYCO ELECTRONICS CORPORATION. ALL RIGHTS RESERVED.

LOC	DIST	REVISIONS			
P	LTR	DESCRIPTION	DATE	DWN	APVD
G	14	F	REV PER OG3A-0092-03	03FEB03	JR TM

<b>AMP WIRE RANGE</b>	FILE E66717	LR7189 Certified
16-14 AWG STRANDED	16-14 AWG STRANDED	16-14 AWG STRANDED

- ① MARKED AMP 16-14
- ② DESIGNED FOR WIRE INSULATION DIA OF .110-.165.
- ③ MATES WITH .250±.003 BY .032±.001 THK TAB.
- ④ BODY: BRASS, TIN PLATED SLEEVE: VINYL, BLUE
- ⑤ RATED FOR 15 MAX AMPERE



100	LOOSE PIECE	8-696302-1
3500	ON TAPE	696302-2
1000	LOOSE PIECE	696302-1
QTY	PACKAGE TYPE	PART NO.

TYCO ELECTRONICS CUSTOMER SERVICE SYSTEM	
FOR ADDITIONAL PRODUCT INFORMATION OR COPIES OF DRAWING AND TECHNICAL DOCUMENTS	PRODUCT INFORMATION CENTER 1-800-522-6752
FOR APPLICATION TOOLING INFORMATION	TOOLING ASSISTANCE CENTER 1-800-722-1111
FOR ORDER ENTRY	1-800-526-5142

MAX RECOMMENDED OPERATING TEMPERATURE: 75°C [167°F]
VOLTAGE RATING: 300V MAX
CIRCULAR MIL AREA: 2,050-5,180 STRANDED

THIS DRAWING IS A CONTROLLED DOCUMENT.	
DIMENSIONS: INCHES	TOLERANCES UNLESS OTHERWISE SPECIFIED:
	0 PLC ± -
	1 PLC ± -
	2 PLC ± -
	3 PLC ± .008
	4 PLC ± -
	ANGLES ± -
MATERIAL: - ④	FINISH: - ④

DWN: JR RUTH 15MAR01		Tyco Electronics Corporation Harrisburg, PA. 17057		
CHK: MS FEHER 15MAR01		NAME: RECEPTACLE, 250 SERIES, FASTON, BUDGET, PRE-INSULATED, WIRE:16-14 AWG		
APVD: T MICHELUTTI 15MAR01	SIZE: A3	CAGE CODE: 00779	DRAWING NO: C-696302	RESTRICTED TO: -
APPLICATION SPEC: -	WEIGHT: -	CUSTOMER DRAWING		
SCALE: 4:1	SHEET: 1 OF 1	REV: F		

AMP 1470-19 REV 31MAR2000  
 14MAR01 9:17am amp13469