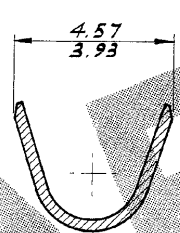
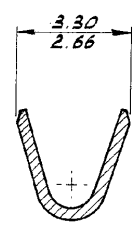
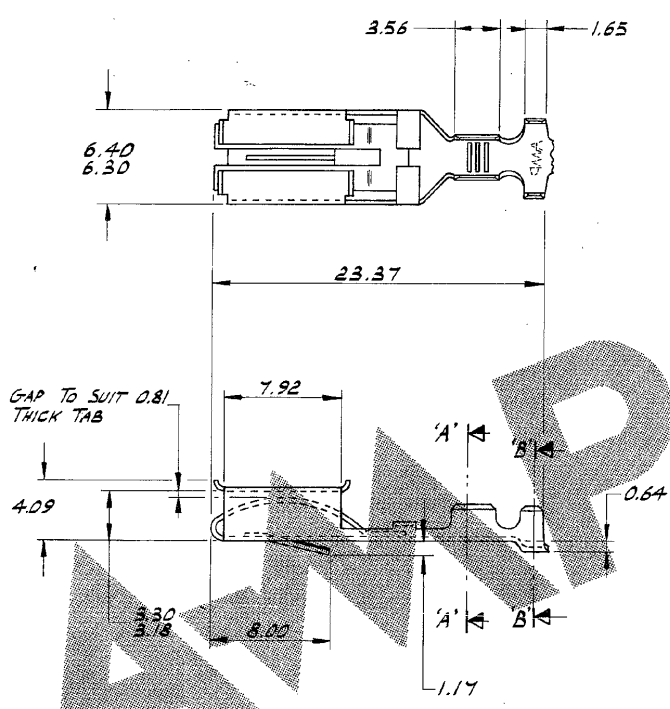


NUMBER C 342642

3rd ANGLE (AMERICAN) PROJECTION

METRIC DRAWING

DIMENSIONS IN M.M. DO NOT SCALE PRINT



SECTION 'A'-'A'  
SCALE 10:1

SECTION 'B'-'B'  
SCALE 10:1

GAP TO SUIT 0.81 THICK TAB

NOTE  
✓ REEL QTY. 2-5M

WAS P83 9441 (GERMANY PROPOSAL)

342872-4	342642-4	PHOS. BRONZE	PRE-TIN
342872-3	342642-3	PHOS. BRONZE	NONE
342872-2	342642-2	BRASS	PRE-TIN
342872-1	342642-1	BRASS	NONE
L.P. PART NO	PART NO	MATERIAL	FINISH

© AMP of GREAT BRITAIN LTD 1983		CUSTOMER COPY REFERENCE ONLY	
MATERIAL AND FINISH		AMP of Great Britain Ltd. TERMINAL HOUSE, STANMORE, MIDD.	
0.40 THICK STOCK SEE TABLE		CLASS	
WIRE — RANGE — INSULATION TYPE		SCALE	
0.5-1.5MM 1.4-2.5		4:1	
TOLERANCE EXCEPT AS NOTED ±0.5		LOC	NO
DR J. CREW 14.6.83		E	B C342642
CHK [Signature] 15.10.83		NAME SPRING RECEPTACLE	