

4

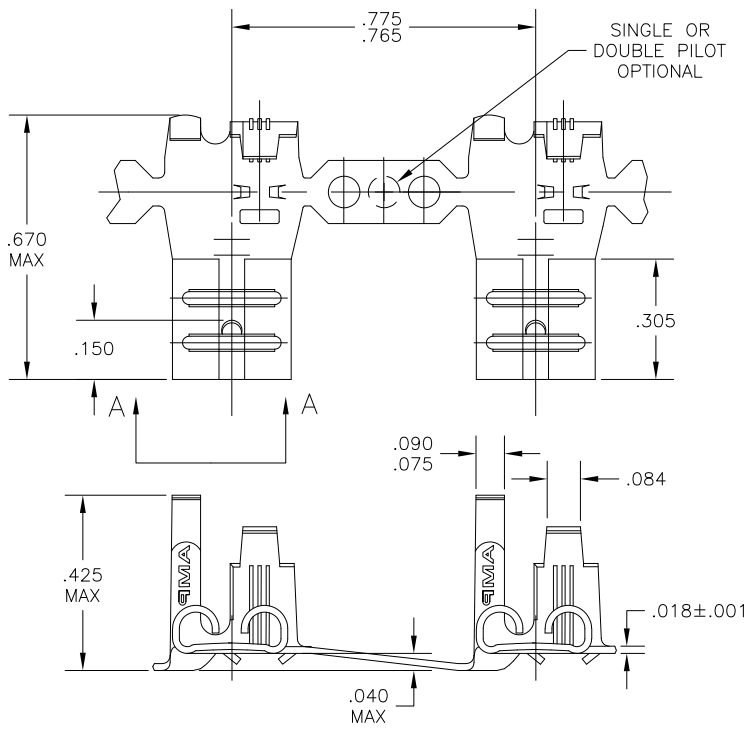
3

2

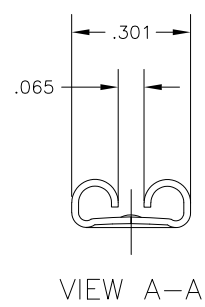
1

THIS DRAWING IS UNPUBLISHED. RELEASED FOR PUBLICATION
 © COPYRIGHT - BY TYCO ELECTRONICS CORPORATION. ALL RIGHTS RESERVED.

LOC	DIST	REVISIONS				
P	LTR	DESCRIPTION	DATE	DWN	APVD	
AF	50	D1	REVISED PER ECR-10-008744	28APR10	HMR PD	



- 1 CONTINUOUS STRIP ON REELS
- 2 MATING TAB THK IS .032±.001.
- 3 WIRE SIZE IS #18-#12 AWG
- 4 INSULATION RANGE IS .110-.210 DIA.



61156-1
 PART NO.

THIS DRAWING IS A CONTROLLED DOCUMENT.		DWN	JR RUTH	18OCT02	 Tyco Electronics Corporation Harrisburg, PA 17105
DIMENSIONS: INCHES		CHK	P DESANTIS	18OCT02	
TOLERANCES UNLESS OTHERWISE SPECIFIED: 0 PLC ± - 1 PLC ± - 2 PLC ± - 3 PLC ± .015 4 PLC ± - ANGLES ± -		APVD	P DESANTIS	18OCT02	NAME
		PRODUCT SPEC		RECEPTACLE, FLAG, FASTON, .250 SERIES	
MATERIAL H04 BRASS		APPLICATION SPEC		SIZE CAGE CODE DRAWING NO	
FINISH SILVER		WEIGHT -		A3 00779 C-61156	
		CUSTOMER DRAWING		SCALE 4:1	SHEET 1 OF 1 REV D1

AMP 1470-19 REV 31MAR2000