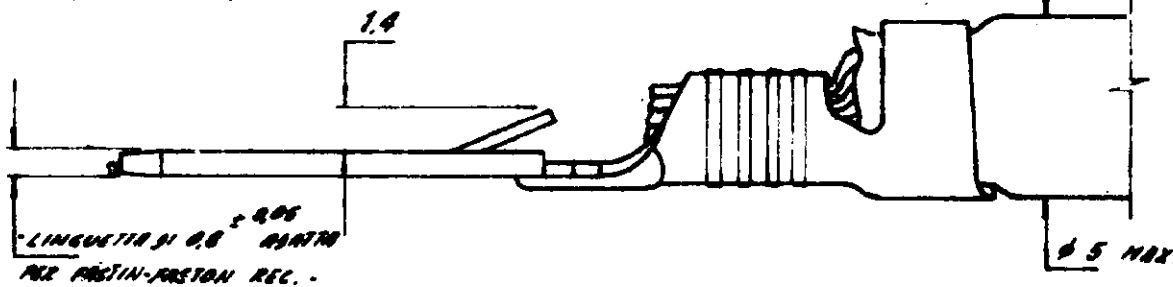
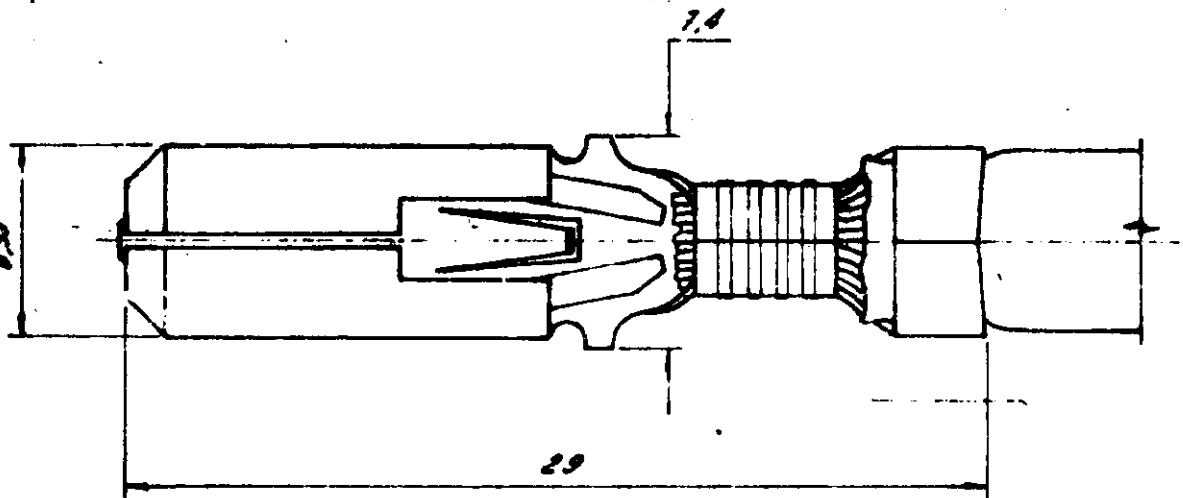


1 OBSOLETE PARTS: OBSOLETE CIS STREAMLINING PER D.RENAUD/D.SINISI



PROVVISORE E FINITURA	NUMERO LOOSE PIECE
STAGNATO	180409-1
STAGNATO	180409-2
BRANCO FORFOROSO	180409-3
BRANCO FORFOROSO MACCHIATO	180409-4
BRANCO FORFOROSO STAGNATO	180409-5
STAGNATO BRANCO	180409-6

OBSOLETE 1  
OBSOLETE 1  
OBSOLETE 1

O1	REVISED PER ECO-09-026346	KK	AEG	26 NOV 09	© 1971 AMP INCORPORATED. ALL RIGHTS RESERVED. AMP AND CIS ARE TRADE PATENTS AND/OR PATENTS PENDING.	CUSTOMER COPY REFERENCE ONLY
					WATER TIGHT FINISH	
					SEE TABLE	<b>AMP</b>
					WIRE GAUGE	CLASS
					INSULATION	WIRE GAUGE
					TYP. 4-6 AWG	TYP. AUTO MACH
					TOLL PAPER EXCEPT AS NOTED	SCALE 1:1
					NO. 02	NO. C-180403
					REV 01	
					250 SERIES FASTIN TAB	