

4

3

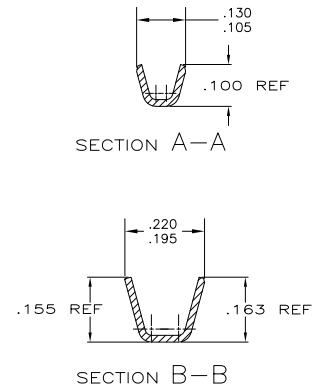
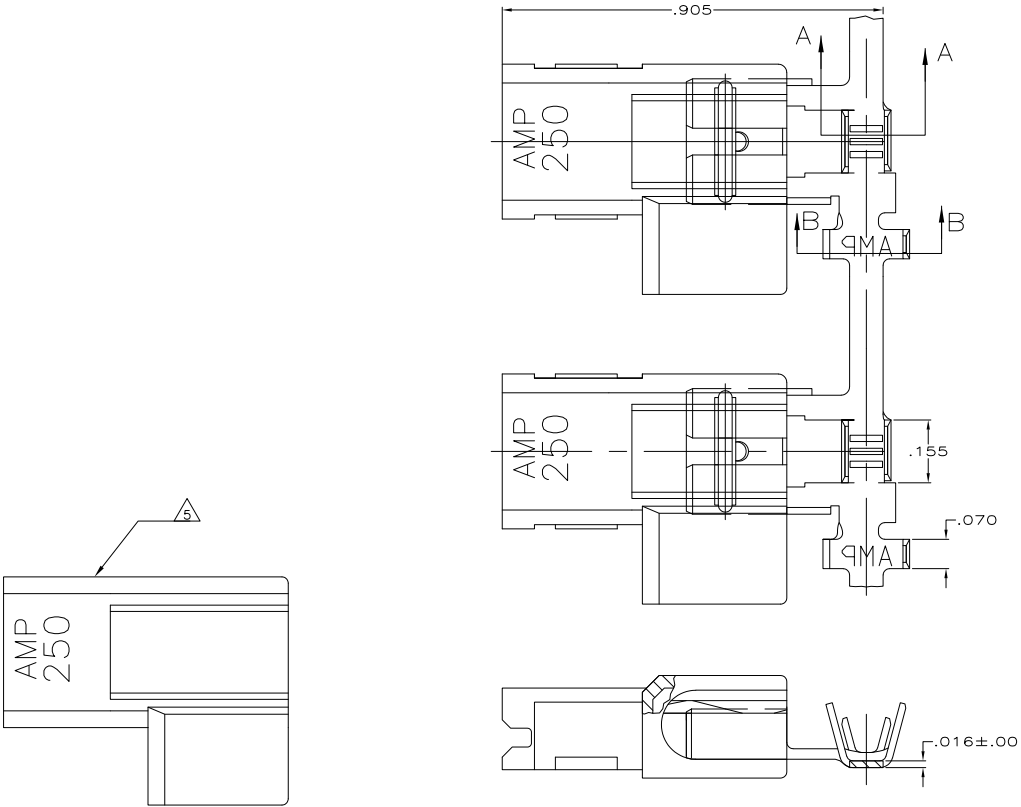
2

1

THIS DRAWING IS UNPUBLISHED. RELEASED FOR PUBLICATION  
 © COPYRIGHT BY TYCO ELECTRONICS CORPORATION. ALL RIGHTS RESERVED.

LOC	DIST	REVISIONS			
P	LTR	DESCRIPTION	DATE	BY	APPD
AF	50	H1	REV PER ECR-10-005376	11MAR10	JR GP

- USE BUDGET FLAG FASTON TERMINAL BASE P/N 521049, IN THIS PRODUCT.
  - WIRE SIZE IS #22-#18 AWG
  - INSULATION RANGE IS .050-.100 DIA
  - FITS .250 X .032 THK FASTON TAB
- △ ALTERNATIVE HOUSING FORM



6/6 NYLON / NATURAL	4M BRASS - TIN PLATED	521050-2
6/6 NYLON / NATURAL	4M BRASS - PLAIN	521050-1
HOUSING - MATERIAL & FINISH	TERMINAL - MATERIAL & FINISH	PART NO
THIS DRAWING IS A CONTROLLED DOCUMENT.		
DESIGNED BY: JR. RUTH	DATE: 7/8/93	Tyco Electronics Corporation Harrisburg, PA 17105-3608
CHECKED BY: MS. FEHR	DATE: 7/8/93	
APPROVED BY: D. BRATINA	DATE: 7/8/93	ASSEMBLY, RECEPTACLE, FLAG, ULTRA-POD, .250 SERIES
PRODUCT SPEC: 108-1285	APPLICATION SPEC: 114-2124	
MATERIAL: SEE TABLE	FINISH: SEE TABLE	SIZE: A2
CUSTOMER DRAWING		SCALE: 6:1
		SHEET: 1 of 1
		REV: H1

AMP 1471-9 REV 31MM2000

521050

A