

4

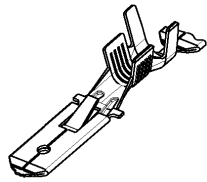
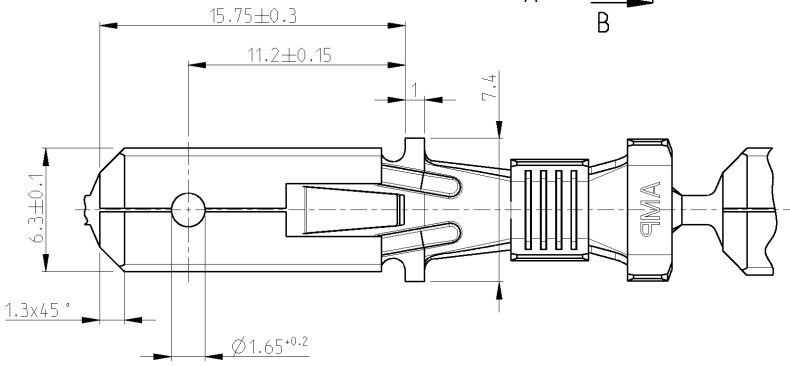
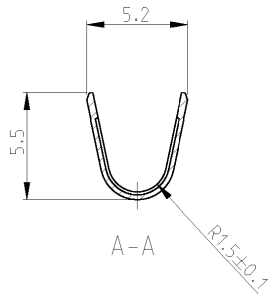
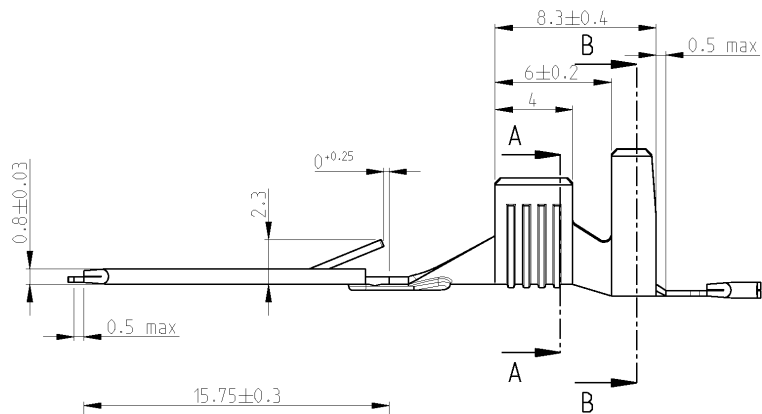
3

2

1

THIS DRAWING IS UNPUBLISHED. RELEASED FOR PUBLICATION 2005
 © COPYRIGHT 2005 BY TYCO ELECTRONICS CORPORATION. ALL RIGHTS RESERVED.

LOC	DIST	REVISIONS			
P	LTR	DESCRIPTION	DATE	DWN	APVD
G1		NEW CAD DRAWING CREATED	15AUG2005	KF	CG
G2		DASH-NO. -4 /-5/ -6/ -7/ -8 REMOVED	15MAR2006	Abr	Goep



2:1

928952-3	PLAIN / blank	CuSn4	928951-3	G
928952-2	TIN / Zinn OVER/über Ni	CuZn30	928951-2	G
928952-1	PLAIN / blank	CuZn30	928951-1	G
LOOSE PIECE No.	FINISH	MATERIAL	AMP PART NUMBER	REV.

DIMENSIONS:		TOLERANCES UNLESS OTHERWISE SPECIFIED:	
mm		PLC	±0.2
		PLC	±0.2
		PLC	±0.2
		PLC	±0.2
		ANGLES	±0.5°
MATERIAL		FINISH	

DWN	15AUG2005	tyco Electronics	tyco Electronics AMP GmbH D - 64625 Bensheim
CHK	K. Fruehwirth 23AUG2005		
APVD	M. Bleicher 24AUG2005	NAME	.250ser. FASTIN-ON TAB (ACCORDING TO DIN 46 343)
PRODUCT SPEC		SIZE	A3
APPLICATION SPEC		CAGE CODE	00779
WEIGHT	0.9 g	DRAWING NO	G-928951
CUSTOMER DRAWING		SCALE	5:1
		SHEET	1 of 1
		REV	G2

AMP 1470-19 REV 31MAR2000