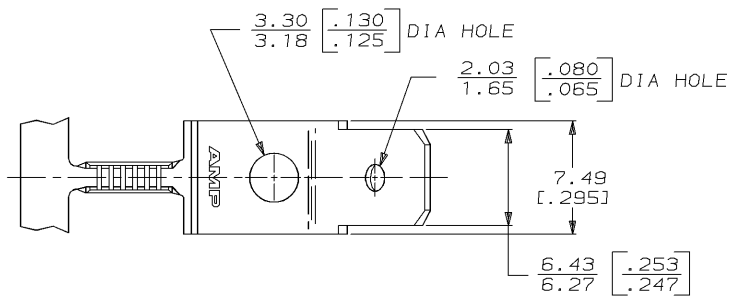


DRAWING MADE IN THIRD ANGLE PROJECTION

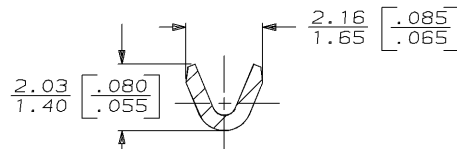
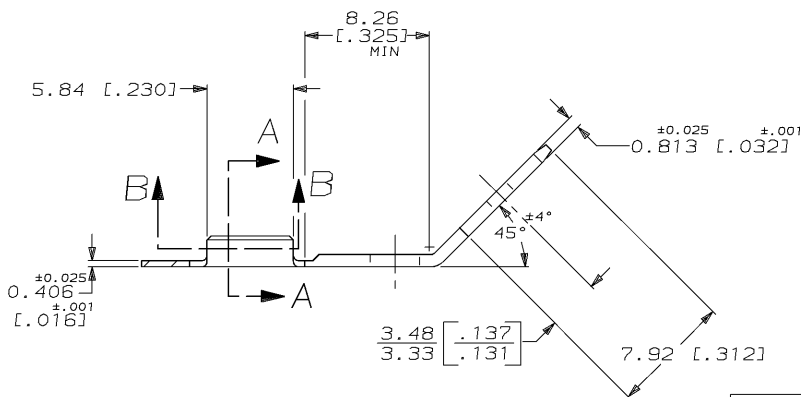
THIS DRAWING IS UNPUBLISHED. RELEASED FOR PUBLICATION, 19 .

© COPYRIGHT 19 BY AMP INCORPORATED. ALL INTERNATIONAL RIGHTS RESERVED.

LOC	DIST	P	F	ZONE	LTR	REVISIONS	DATE	APPD
AF	50					0 DRAWN	8/16/95	JR/PD



- 1 CONTINUOUS STRIP ON REELS.
- 2 TAB DIMENSIONS ARE IN ACCORDANCE WITH NEMA DC-2 STD.



SECTION A-A  
SCALE 10:1

200-566 CMA	63611-1
WIRE RANGE	PART NO
<b>AMP</b> AMP Incorporated Harrisburg, PA 17105-3608	
NAME TAB, FASTON™, AMPLIVAR, 6.35 [.250] SERIES	
SIZE B	CAGE CODE 00779
SCALE 4:1	DRAWING NO 63611
	SHEET 1 OF 1

DO NOT SCALE PRINT.	DR 8/16/95
UNLESS SPECIFIED	JR RUTH
DIMENSIONS IN mm (INCHES)	CHK 8/16/95
TOLERANCES ON:	NS FEHER
2 PLC DEC ± 0.25 (.010)	APPD 8/16/95
3 PLC DEC ± -	P DESANTIS
ANGLES ± -	APPD 8/16/95
MATERIAL	D REINER
PREMILLED #2H	PRODUCT SPEC
BRASS	-
FINISH	APPLICATION SPEC
TIN 0.002032	-
[.000080] MIN	WEIGHT
WITH VARNISH RESIST	-