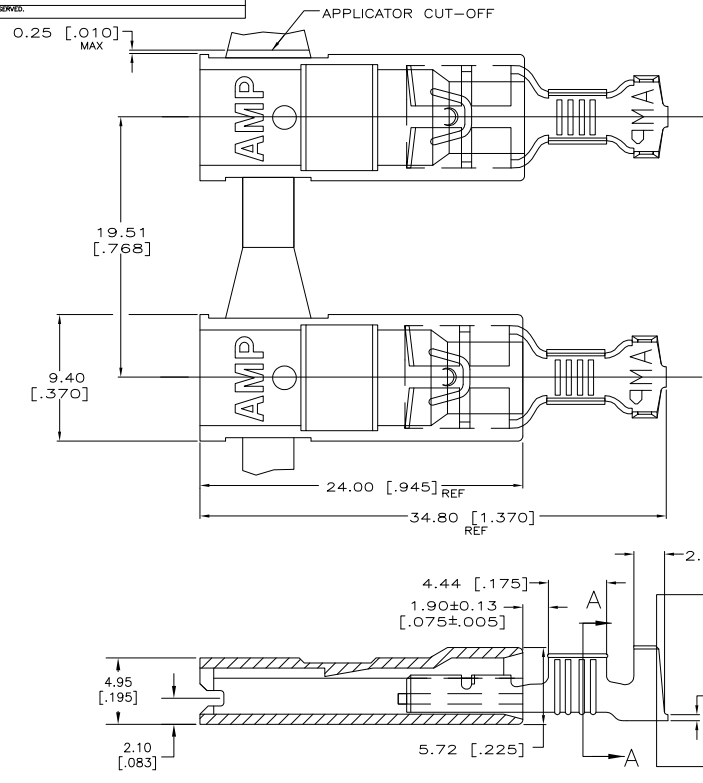


THE DRAWING IS UNPUBLISHED. RELEASED FOR PUBLICATION. BY TYCO ELECTRONICS CORPORATION. ALL RIGHTS RESERVED.

LOC	QST	REV	DESCRIPTION	DATE	DR	APP
AF	50	A1	REVISED PER ECR-07-002861	09FEB07	HMR	GP



- 1 LOW-INSERTION FASTON TERMINALS, BASE P/N 63639, ARE USED IN THIS PRODUCT.
- 2 0.002032 [.000080] MIN TIN PER MIL-T-10727.
- 3 MATERIAL: HOUSING 4/6 NYLON
TERMINAL - 4M BRASS
- 4 FINISH: HOUSING - COLOR, BLACK
TERMINAL - SEE TABLE
- 5 PRELIMINARY - NOT FOR PRODUCTION

TIN PLATED	3.30-4.57 [.130-.180]	2.0-5.0 mm [14-10]	0.813 [.032]	521973-2
PLAIN				521973-1
TERMINAL FINISH	INSULATION RANGE	WIRE SIZE	MATING TAB THK ±0.025 [±.001]	PART NO.

THIS DRAWING IS A CONTROLLED DOCUMENT.		DRN	G.PORTA	SOIC24
DIMENSIONS: mm [INCHES]		DR		
TOLERANCES UNLESS OTHERWISE SPECIFIED:		APRO		
Ø PUC	± .	PRDCT SPEC		
1 PUC	± .	108-1285		
2 PUC	± .	APPLICATION SPEC		
3 PUC	± 0.25 [.010]	114-2124		
4 PUC	± .	WEIGHT		
ANGLES	± .			

MATERIAL	3	FINISH	4	CUSTOMER DRAWING
SIZE	A2	DATE CODE	00779	DRAWING NO
SCALE	5:1			521973
SHEET	1	OF	1	REV
				A1

AMP 1471-B REV 31MMR2000