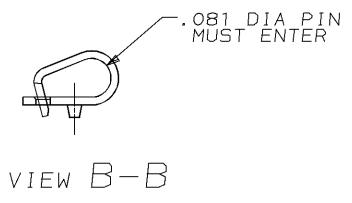
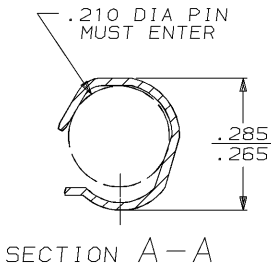
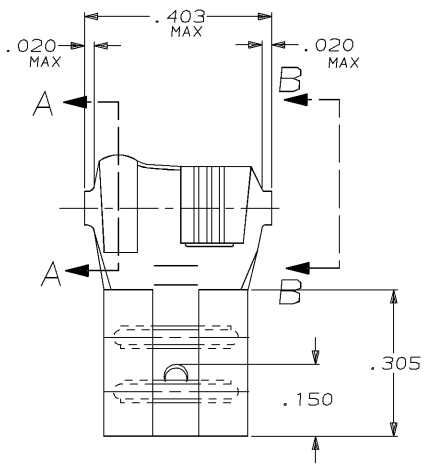


4
DRAWING MADE IN THIRD ANGLE PROJECTION
THIS DRAWING IS UNPUBLISHED. RELEASED FOR PUBLICATION
© COPYRIGHT 19 BY AMP INCORPORATED, HARRISBURG, PA. ALL INTERNATIONAL RIGHTS RESERVED. AMP PRODUCTS MAY BE COVERED BY U.S. AND FOREIGN PATENTS AND/OR PATENTS PENDING.

LOC	DIST	P	F	ZONE	LTR	DESCRIPTION	DATE	APPROVED
AF	50				A	ADDED NOTES 3 & 4 PER 0551-94	11/2/84	JR/PD



- 1 WIRE AND INSULATION BARRELS TO BE PREFORMED AS SHOWN IN CUT OFF OPERATION.
- 2 SUPPLIED IN LOOSE PIECE.
- 3 FOREIGN PRODUCTION ONLY.
- 4 MAKE FROM P/N 41800

2.79-5.33 [1.10-.210]		0.8-3.0mm ² [18-12]	0.81 [.032]	42015
INSULATION RANGE		WIRE SIZE	±0.025 [±.001] TAB THK	PART NO
UNLESS OTHERWISE SPECIFIED DIMENSIONS ARE IN MM TOLERANCES ON: 2 PL DEC ± 3 PL DEC ± 0.38 [015] ANGLES * -	DR	11/16/83 JR RUTH	AMP INCORPORATED Harrisburg, Pa. 17105 RECEPTACLE, FASTON™ FLAG, .250 SERIES	
	CHK	11/16/83 MS FEHER		
	APPD	11/16/83 P DESANTIS		
MATERIAL	APPD	11/16/83 R REINER	SIZE	FSCM NO
T3 PHOS BRZ	PRODUCT SPEC	-	B	00779
FINISH	APPLICATION SPEC	-	SCALE	DRAWING NO
TIN	WEIGHT	-	NTS	42015
			SHEET	1 OF 1

AMP 1470-15 REV 10-84

02-NOV-94 08:12:34 amp13469 /files/dept2121/dwg2121/u.faston-hermetic/u.250-ft

CUSTOMER DRAWING