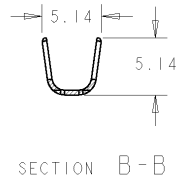
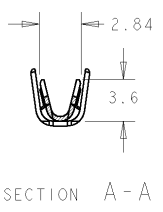
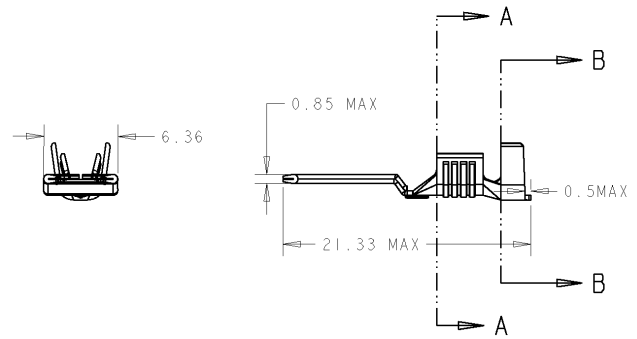
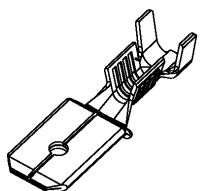


THIS DRAWING IS UNPUBLISHED. RELEASED FOR PUBLICATION
 COPYRIGHT 20 BY TYCO ELECTRONICS CORPORATION. ALL RIGHTS RESERVED.

LOC	DIST	REVISIONS				
P	LTR	DESCRIPTION	DATE	DWN	APVD	
	A	First Issue	19/09/08	MJG	JA	



0.8 - 2.0mm	18 - 14	TIN	BRASS	60006-2
0.8 - 2.0mm	18 - 14	PLAIN	BRASS	60006-1
METRIC WIRE SIZE	AWG WIRE SIZE	FINISH	MATERIAL	PART NO

<small>THIS DRAWING IS A CONTROLLED DOCUMENT FOR TYCO ELECTRONICS CORPORATION IT IS SUBJECT TO CHANGE AND THE CONTROLLING ENGINEERING DEPARTMENT SHOULD BE CONTACTED FOR THE LATEST REVISION.</small>		DWN M. GREENER 19SEP2008 CHK J. AMBROSE 19SEP2008 APVD J. AMBROSE 19SEP2008	Tyco Electronics UK Ltd. Bideford, North Devon, EX39 4HE
DIMENSIONS: mm 	TOLERANCES UNLESS OTHERWISE SPECIFIED: 0 PLC ±0.5 1 PLC ±0.5 2 PLC ±0.5 3 PLC ±0.5 4 PLC ± ANGLES ±	NAME FASTON TAB .250 SERIES PRODUCT SPEC - APPLICATION SPEC - WEIGHT -	SIZE A3 CAGE CODE 00779 DRAWING NO C-60006 RESTRICTED TO
MATERIAL SEE TABLE	FINISH -	CUSTOMER DRAWING SCALE 3:1 SHEET 1 OF 1 REV A	

AMP 1470-19 REV 31MAR2000
 P10/JENGINEER DRAWING