

4

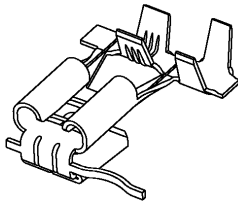
3

2

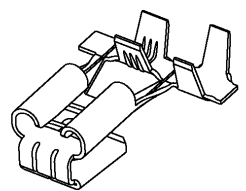
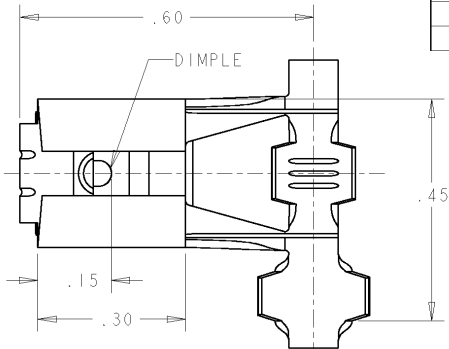
1

THIS DRAWING IS UNPUBLISHED. RELEASED FOR PUBLICATION
COPYRIGHT 20 BY TYCO ELECTRONICS CORPORATION. ALL RIGHTS RESERVED.

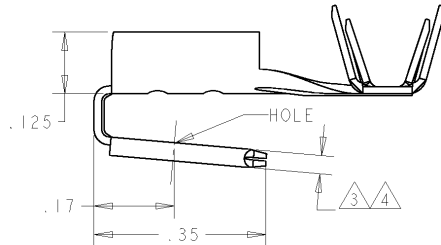
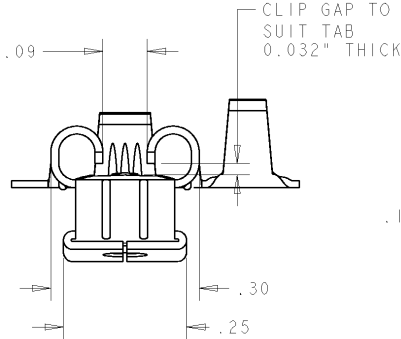
LOC	DIST	REVISIONS				
P	LTR	DESCRIPTION	DATE	DWN	APVD	
E		EB00-0457-00	13/10/08	AJB	FWK	
F		ECR-06-000712	11/01/06	MJG	JA	



△ PRODUCT MANUFACTURED WITH REAR CARRIER STRIP



△ PRODUCT MANUFACTURED WITHOUT REAR CARRIER STRIP



△ 4	△ 2	ELECTRO-TIN	151321-8
△ 4	△ 2	UNPLATED	151321-7
△ 4	△ 1	ELECTRO-TIN	151321-6
△ 4	△ 1	UNPLATED	151321-5
△ 3	△ 2	ELECTRO-TIN	151321-4
△ 3	△ 2	UNPLATED	151321-3
△ 3	△ 1	ELECTRO-TIN	151321-2
△ 3	△ 1	UNPLATED	151321-1
TAB	CARRIER	FINISH	PART NO

NOTES:

- △ 1 PRODUCT MANUFACTURED WITH REAR CARRIER STRIP
 - △ 2 PRODUCT MANUFACTURED WITHOUT REAR CARRIER STRIP
 - △ 3 STANDARD TAB
 - △ 4 LOW INSERTION TAB
5. TERMINAL DESIGNED FOR WIRE RANGE 18-14 AWG WITH INSULATION RANGE 0.120" TO 0.0170"

DIMENSIONS: INCHES		TOLERANCES UNLESS OTHERWISE SPECIFIED:	
0 PLC	±		
1 PLC	±.5		
2 PLC	±.5		
3 PLC	±.5		
4 PLC	±		
ANGLES	±	#1	
MATERIAL	BRASS	FINISH	SEE TABLE

OWN	13/09/00	tyco Electronics	Tyco Electronics Stanmore, Middlesex. HA7 4RS	
CHK	13/09/00			
APVD	13/09/00	NAME	FLAG FASTON, PIGGY BACK .250 SERIES	
PRODUCT SPEC		SIZE	CAGE CODE	DRAWING NO
APPLICATION SPEC		A3	00779	C-151321
WEIGHT		CUSTOMER DRAWING	SCALE	5:1
			SHEET	1 OF 1
			REV	F

AMP 1470-19 REV 31MAR2000

Fls ENGINEER DRAWING