

DO NOT SCALE  
DIMENSIONS IN mm

METRIC

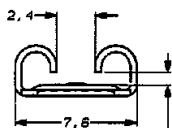
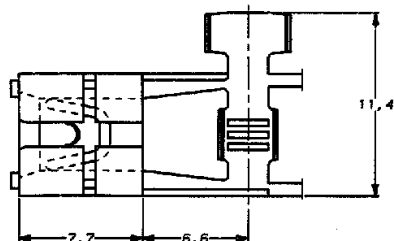


NOTES:

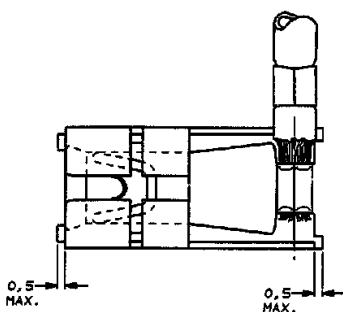
- 1 FOR USE ON MINIATURE APPLICATORS ( LEFT-RIGHT FEED )
- 2 HANDTOOL 180320 TO BE USED.
- 3 APPLICATION SPEC. 114-19025.
- 4 PRODUCT SPEC. 108-19084.

△ REVERSE REELED FOR MINI APPLICATOR.

△ OBSOLETE PARTS: OBSOLETE CIS STREAMLINING PER D.RENAUD/D.SINISI



FOR 0,8 mm TAB THICKNESS



DOC. CENTRE  
10 DEC. 1993

OBSOLETE



100688-4	TINPLATED	PH. BRONZE	△	100644-4
100688-3	UNPLATED	PH. BRONZE	△	100644-3
100688-2	TINPLATED	BRASS	△	100644-2
100688-1	UNPLATED	BRASS	△	100644-1
100688-4	TINPLATED	PH. BRONZE		100644-4
100688-3	UNPLATED	PH. BRONZE		100644-3
100688-2	TINPLATED	BRASS		100644-2
100688-1	UNPLATED	BRASS		100644-1

OBSOLETE



LOOSE PIECE	FINISH	MATERIAL	PARTNUMBER
-	-	-	-

CUSTOMER DRAWING FOR REFERENCE ONLY  
WILL NOT BE UPDATED  
© COPYRIGHT 1988 BY AMP HOLLAND B.V.  
ALL INTERNATIONAL RIGHTS RESERVED. AMP PRODUCTS MAY BE  
COVERED BY U.S. AND FOREIGN AND/OR PATENTS PENDING.  
THIS DRAWING IS UNCONTROLLED  
ISSUED FOR INFORMATION



AMP HOLLAND B.V.  
Herengracht 10  
3713 CA Utrecht, The Netherlands

WIRE RANGE :  
0,5 - 1,5 mm<sup>2</sup>  
INSULATION RANGE :  
2,0 - 3,8 mm DIA.

B1	ECO-09-026346	KK	AEQ	NOV09				
B	EH-0935-93	P.B.	P.B.	03.12.93				
A	EH-0242-93	P.B.	P.B.	14.04.93				
O	H-9565	P.B.	A.B.	20.02.93				
LTR	REVISION RECORD	DR.	CHK.	DATE				
DR.	P.B./M.M.	CHK.	A.B./M.H.	APP.	A./M.B.E.T.	DRG. No.	REV. LTR.	SHEET
DATE:	20.02.92	DATE:	-	DATE:	07-74	C-100644	B1	1 of 1

RS-128  
REV 04-91

8 | 7 | 6 | 5 | 4 | 3 | 2 | 1