

4

3

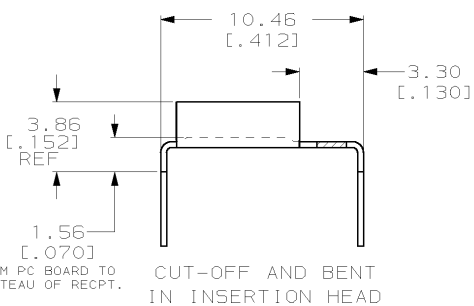
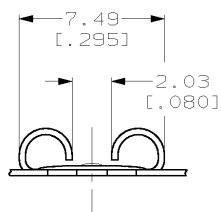
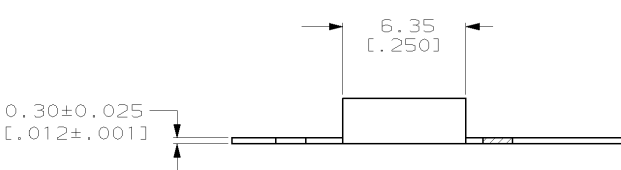
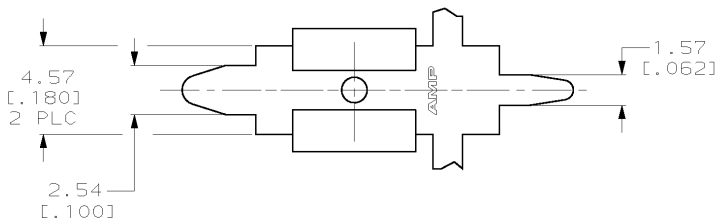
2

1

THIS DRAWING IS UNPUBLISHED. RELEASED FOR PUBLICATION .19 . . .
 © COPYRIGHT 19 BY AMP INCORPORATED. ALL RIGHTS RESERVED.

Loc		DIST		REVISIONS			
P	LTR	DESCRIPTION		DATE	DWN	APVD	
	C	REV PER 061A-0184-99		27MAY99	JR	SH	

- 1 MATING TAB THK IS 0.51 ± 0.025 [0.020 ± 0.001].
- 2 CONTINUOUS STRIP ON REELS. TO BE CUT-OFF & BENT IN INSERTION HEAD.



1217107-1
PART NO.

THIS DRAWING IS A CONTROLLED DOCUMENT.		DWN	JR RUTH	11/14/97	AMP AMP Incorporated Harrisburg, PA 17105-3608
DIMENSIONS: MM (INCHES)		CHK	MS FEHER	11/14/97	
TOLERANCES UNLESS OTHERWISE SPECIFIED:		APVD	P DESANTIS	11/14/97	NAME
0 PLC	±-	PRODUCT SPEC	RECEPTACLE, FASTON, 6.35 [.250] SERIES		
1 PLC	±-	APPLICATION SPEC	SIZE	A3	CAGE CODE
2 PLC	±0.13 [.005]	WEIGHT	00779		DRAWING NO.
3 PLC	±-	MATERIAL	1217107		RESTRICTED TO
4 PLC	±-	FINISH	0.002032 [.000080]		SCALE
ANGLES	±-	MIN TIN	CUSTOMER DRAWING		5:1
					SHEET
					1 OF 1
					REV
					C