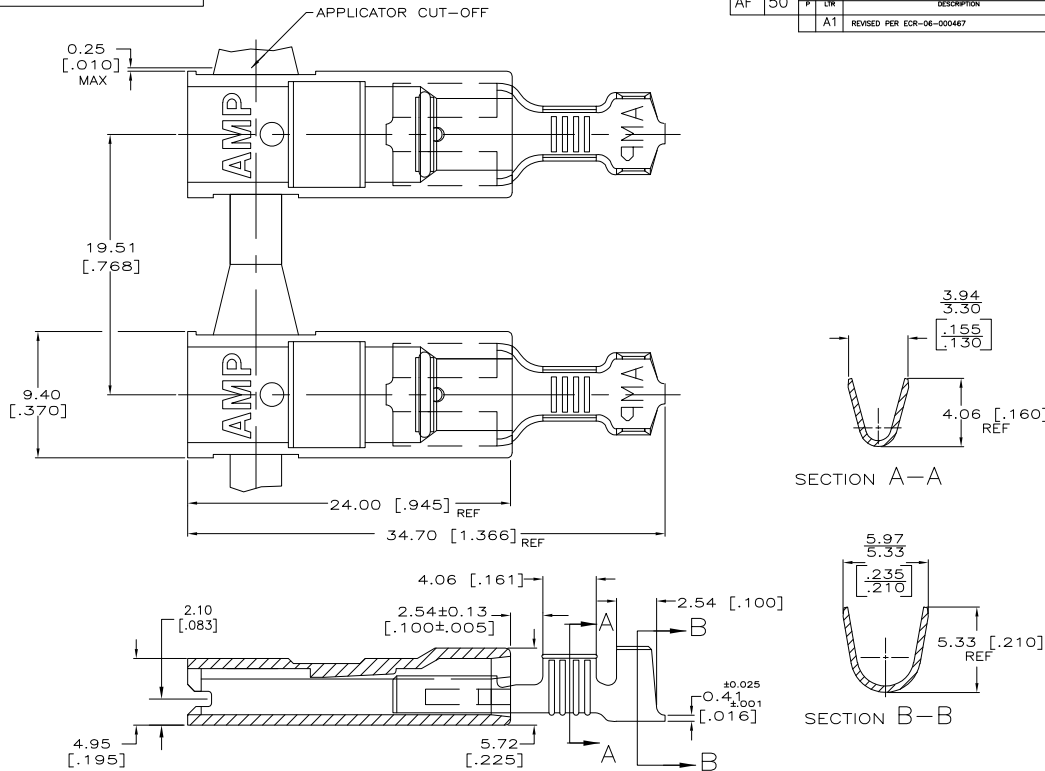


THIS DRAWING IS UNPUBLISHED. RELEASED FOR PUBLICATION
 © COPYRIGHT BY TYCO ELECTRONICS CORPORATION. ALL RIGHTS RESERVED.

LUC	DBT	REVISIONS		
AF	50	TR	DESCRIPTION	DATE
		A1	REVISED PER ECR-06-000467	24MAY06
				HMR GP



- BUDGET FASTON TERMINALS, BASE P/N 63884, ARE USED IN THIS PRODUCT.
- WIRE SIZE 0.8-2.0mm [18-14] AWG
- INSULATION RANGE IS 2.79-4.32 [.110-.170] DIA.
- MATING TAB THK IS 0.813±0.025 [.032±.001].

STANDARD	MATERIAL: 4M BRASS FINISH: 0.002032 [.000080] MIN TIN	MATERIAL: 6/6 VO, NYLON COLOR: NATURAL	521567-2
PACKAGING	TERMINAL	HOUSING	PART NO.
THIS DRAWING IS A CONTROLLED DOCUMENT.			
DIMENSIONS: TO DIMENSIONS UNLESS OTHERWISE SPECIFIED:		DMR RUTH 15AUG02 MS FEHER 15AUG02 Tyco Electronics Tyco Electronics Corporation Harrisburg, PA 17105-3608	
DIMENSIONS: mm [INCHES] Ø P/IC ± .010 P/IC ± .010 H P/IC ± 0.25 [.010] ANGLES ± .5°		PRELIM SPEC: 108-1285 APPLICATION SPEC: 114-2124 SIZE: A2 CASE CODE: 00779 DRAWING NO: ©=521567 RESTRICTED TO:	
MATERIAL: SEE TABLE	FINISH: SEE TABLE	WEIGHT: CUSTOMER DRAWING	SCALE: 5:1 SHEET: 1 of 1 REV: A1

AMP 1471-B REV 31MAY2000