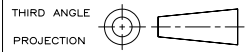


DO NOT SCALE
DIMENSIONS IN mm

METRIC



NOTES:

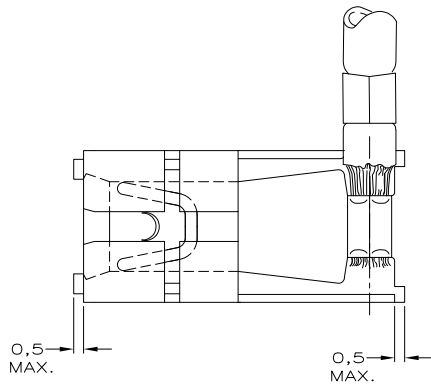
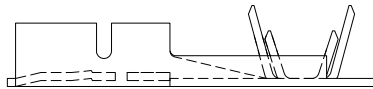
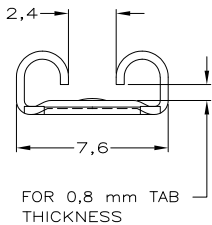
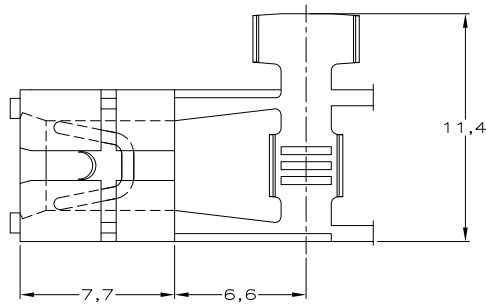
- 1 FOR USE ON MINIATURE APPLICATORS (LEFT-RIGHT FEED)
- 2 HANDTOOL 180319 TO BE USED.
- 3 APPLICATION SPEC. 114-19025.
- 4 PRODUCT SPEC. 108-19084.



REVERSE REELED FOR MINI APPLICATOR.



OBsolete PARTS: OBsolete CIS STREAMLINING PER D.RENAUD/D.SINISI



WIRE RANGE :
1,0 - 2,5 mm²
INSULATION RANGE :
2,5 - 3,8 mm DIA.

100689-4	TINPLATED	PH.BRONZE	1-100645-4
100689-3	UNPLATED	PH.BRONZE	1-100645-3
100689-2	TINPLATED	BRASS	1-100645-2
100689-1	UNPLATED	BRASS	1-100645-1
100689-4	TINPLATED	PH.BRONZE	100645-4
100689-3	UNPLATED	PH.BRONZE	100645-3
100689-2	TINPLATED	BRASS	100645-2
100689-1	UNPLATED	BRASS	100645-1
	LOOSE PIECE	FINISH	MATERIAL
			PARTNUMBER

-				CUSTOMER DRAWING		FOR REFERENCE ONLY WILL NOT BE UPDATED	
-				© COPYRIGHT 19 - BY AMP HOLLAND B.V.		ALL INTERNATIONAL RIGHTS RESERVED. AMP PRODUCTS MAY BE COVERED BY U.S. AND FOREIGN AND/OR PATENTS PENDING.	
-				THIS DRAWING IS UNPUBLISHED		RELEASED FOR PUBLICATION	
B1	REVISED PER ECO-09-020932	KK	AEG	27AUG09			
B	EH-0935-93	P.B.	P.B.	03.12.93			
A	EH-0242-93	P.B.	P.B.	14.04.93			
O	H-9565	P.B.	A.B.	20.02.92			
LTR.	REVISION RECORD	DR.	CHK.	DATE			
DR.:	P.BEINON	CHK.:	ABUNEN	APP.:	L.v.SOEST.	DWG.No.	REV.LTR. SHEET
DATE:	20.02.92	DATE:	-	DATE:	-	C-100645	B1 1 OF 1



AMP HOLLAND B.V.
's-Hertogenbosch,
The Netherlands.

NAME
LOW INSERTION FORCE FASTON RECEPTACLE
FOR 0,8 mm TAB THICKNESS .250srs(6,3)