

4

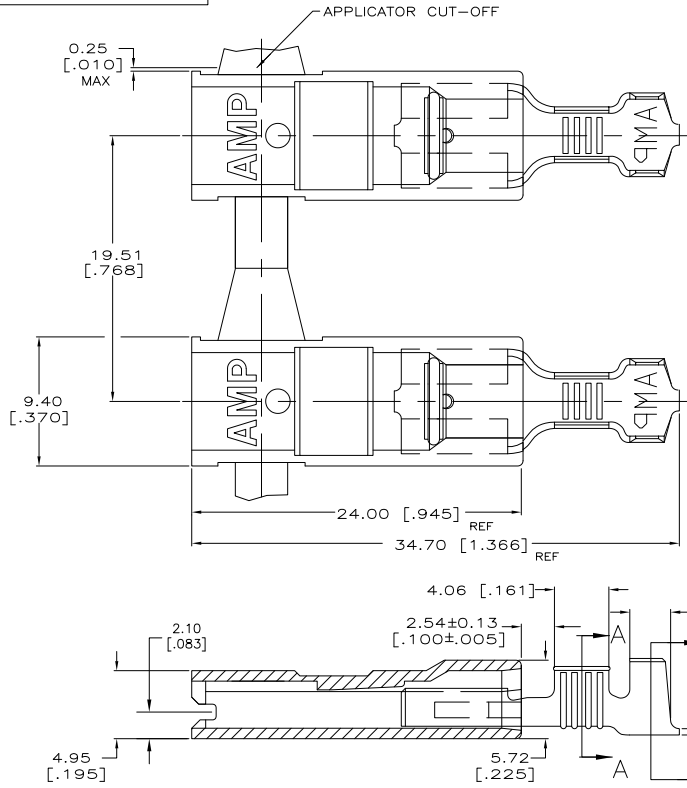
3

2

1

THIS DRAWING IS UNPUBLISHED. RELEASED FOR PUBLICATION
 © COPYRIGHT BY TYCO ELECTRONICS CORPORATION. ALL RIGHTS RESERVED.

LOC	DIST	REVISIONS		
P	LTR	DESCRIPTION	DATE	BY
AF	50	D2	REVISED PER ECR-07-016270	23JUL07 HMR



1 BUDGET FASTON TERMINALS, BASE.
 P/N 63884, ARE USED IN THIS PRODUCT.

BULK STANDARD	2.79-4.32 [.110-.170]	0.8-2.0 mm ² [18-14]	0.813 [.032]	5-521094-1
PACKAGING	INSULATION RANGE	WIRE SIZE	MATING TAB ±0.025 [±.001]	521094-1
		THK	PART NO	

THIS DRAWING IS A CONTROLLED DOCUMENT.		DRN	J.R. RUTH	11/27/95
DIMENSIONS:		CHK	M.S. FEHNER	11/27/95
INCHES		APP'D	D. BRATINA	11/27/95
0 PLC ± -		NAME	Tyco Electronics Corporation	
1 PLC ± -		PRODUCT SPEC	Harrisburg, PA 17105-3608	
2 PLC ± -		APPLICATION SPEC	ASSEMBLY, ULTRA-POD,	
3 PLC ± 0.25 [0.10]		114-2124	RECEPTACLE, 6.35 [250] SERIES	
4. ANGLES ± -		RIGHT	SIZE	CAGE CODE
MATERIAL		HOUSING - NATURAL	A2	00779
HOUSING - 6/6 NYLON		TERMINAL - PLAIN	SCALE	DRAWING NO
TERMINAL - 5M HARD		BRASS	5:1	C=521094
FINISH		CUSTOMER DRAWING	SHEET	RESTRICTED TO
			1 of 1	-
			REV	D2

AMP 1471-9 REV 31MM2000

521094

A