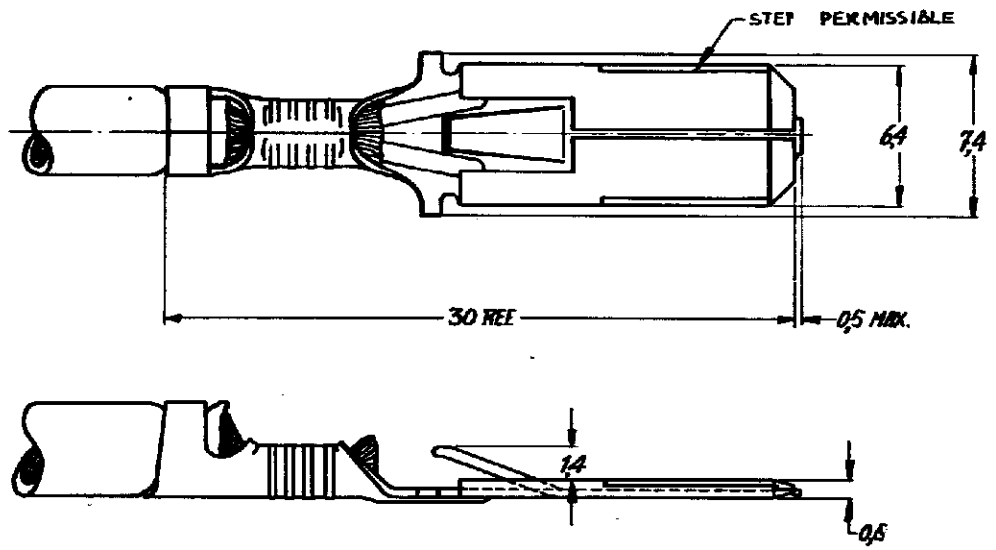


NUMBER C-160450-E

DRAWING MADE IN AMERICAN PROJECTION

REVISIONS

P	LTR	DESCRIPTION MODIFICATIONS	DATE	DWN	APVD
	C1	REVISED PER ECO-10-000445	18JAN10	JK	HMR



- 1 FOR USE ON STANDARD APPLICATORS (RIGHT-LEFT FEED)
- 2 FOR USE ON MINIATURE APPLICATORS (LEFT-RIGHT FEED ; AMP-O-MATOR APPLICATORS)
- 3 OBSOLETE PARTS: OBSOLETE CIS STREAMLINING PER D.RENAUD/D.SINISI

DIMENSIONS IN IN. DO NOT SCALE PRINT

160450-6	PHOSPHOR BR	TIN-LEAD	1/2
<del>160450-5</del>	<del>BRASS</del>	<del>SILVER</del>	<del>1</del>
<del>160450-4</del>	<del>BRASS</del>	<del>NONE</del>	<del>1</del>
160450-3	PHOSPHOR BR.	SILVER	1
160450-2	PHOSPHOR BR.	TIN	1/2
160450-1	PHOSPHOR BR.	—	1

**CUSTOMER COPY FOR REFERENCE ONLY**

©1968 BY AMP-HOLLAND N.V. ALL RIGHTS RESERVED A-MP PRODUCTS COVERED BY PATENTS AND/OR PATENTS PENDING.

**AMP**  
AMP-HOLLAND N.V.  
'HERTOGENBOSCH  
HOLLAND

WIRE RANGE	INSUL. RANGE	FIRST USED
08-25 mm <sup>2</sup>	3-4 mm	

SCALE	LOC	SIZE	NO	REV
4:1	H	A	C-160450-E	C1

NAME: 250 SERIES FASTIN-FASTON TAB

ORDER NO.	MATERIAL	PLATING	WIRE
DR: <i>123-1-68</i>			
DATE	DE	DATE	DATE
CHK	DATE	APP	DATE