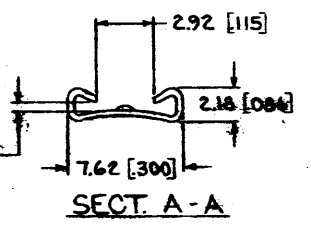
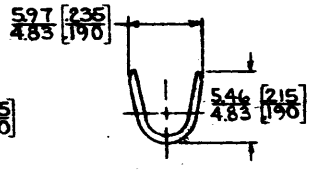
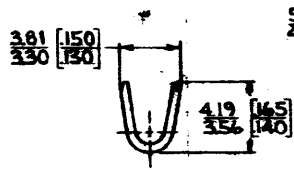
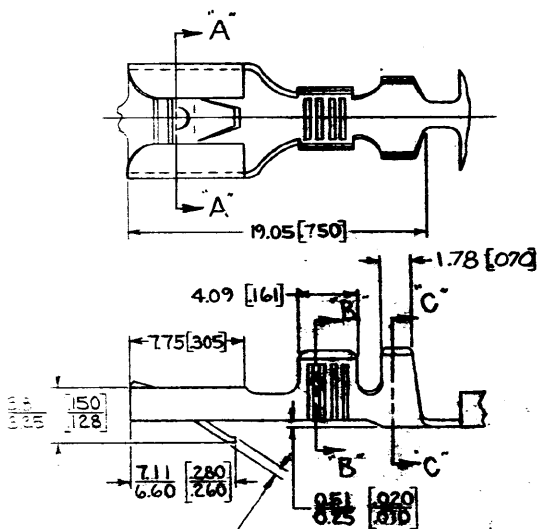


4
 ISOMETRIC ANGLE PROJECTION
 3
 DRAWING IS UNPUBLISHED. RELEASED FOR PUBLICATION 19
 BY AMP INCORPORATED, HARRISBURG, PA. ALL INTERNATIONAL RIGHTS
 RESERVED. AMP PRODUCTS MAY BE COVERED BY U.S. AND FOREIGN PATENTS AND/OR PATENTS PENDING.

2
 1 Loc AF DIST 50

REVISIONS						
P	F	ZONE	LTR	DESCRIPTION	DATE	APPROVED
			0	Rel.		
		A		OBS. -2	AF-3480	6-10-88 ZS/44



FITS .250 SERIES FASTON TAB

NOTE:
 CONTINUOUS STRIP ON REELS.
 DIMS. IN BRACKETS ARE IN INCHES.

FIN	NONE	0.8 ^{+0.05} _{-0.02} [032 ^{+0.001} _{-0.001}]	08-20 ^{FWR} #18-14 or (2) 0.8 ^{FWR} #18	2.29-4.45 [090-175] or 2.15 [80]	63418-2
FINISH	TAB THK.		WIRE RANGE	INSULATION RANGE	PART NO.

METRIC

UNLESS OTHERWISE SPECIFIED DIMENSIONS ARE IN MILLIMETERS (M) TOLERANCES ON DECIMALS ARE AS FOLLOWS	CONTRACT NO.	AMP AMP INCORPORATED Harrisburg, Pa.	
	DR. <i>VP/1-15-86</i>	NAME: .250-SERIES FASTON RECEPTACLE	
MATERIAL	APPROVED <i>C. M. ... 1-20-86</i>	SIZE	FIG. NO.
0.41 [016] THK. BRASS	DATE <i>1-20-86</i>	B	00779
FINISH	OTHER APPRO.	SCALE	DRAWING NO.
SEE TABLE		NTS	63418
			SHEET 1 of 1

CUSTOMER DRAWING