

4

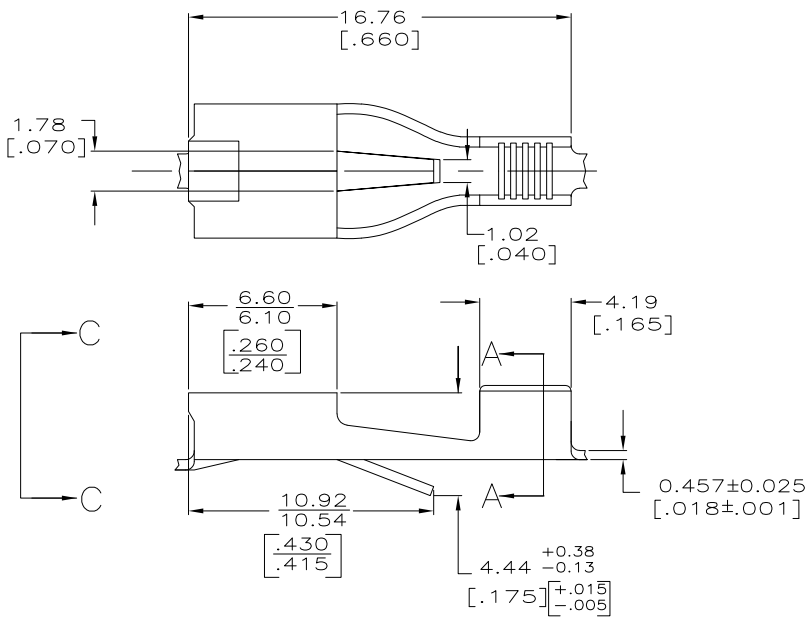
3

2

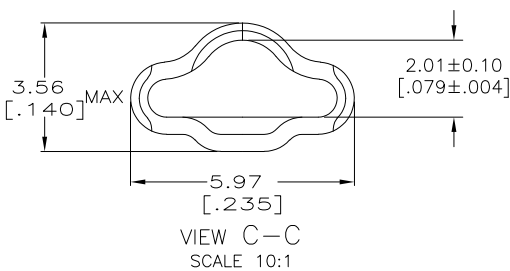
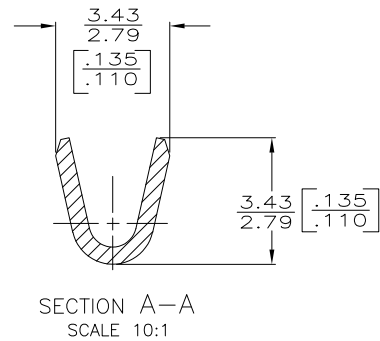
1

THIS DRAWING IS UNPUBLISHED. RELEASED FOR PUBLICATION
 © COPYRIGHT - BY TYCO ELECTRONICS CORPORATION. ALL INTERNATIONAL RIGHTS RESERVED.

LOC	DIST	REVISIONS				
P	LTR	DESCRIPTION	DATE	DWN	APVD	
AF	50	S1	REVISED PER ECR-09-014908	15JUL09	HMR DD	



- 1 CONTINUOUS STRIP ON REEL.
- 2 PRELIMINARY - NOT FOR PRODUCTION



[21-16] AWG MAGNET WIRE	BERYLLIUM COPPER H03 PHOS BRONZE	60177-4 60177-2
WIRE RANGE	MATERIAL	PART NO
DWN PHIL FORTNEY 9/8/93 CHK JEFF RUTH 9/8/93 APVD GARY YETTER 9/8/93	Tyco Electronics Tyco Electronics Corporation Harrisburg, PA 17105-3608	
PRODUCT SPEC APPLICATION SPEC	PIN RECEPTACLE, 2.29 [.090] DIA	
WEIGHT	SIZE A3 CAGE CODE 00779 DRAWING NO C-60177	RESTRICTED TO
CUSTOMER DRAWING	SCALE 6:1	SHEET 1 OF 1 REV S1

THIS DRAWING IS A CONTROLLED DOCUMENT.	
DIMENSIONS: mm [INCHES]	TOLERANCES UNLESS OTHERWISE SPECIFIED:
0 PLC ± -	1 PLC ± -
2 PLC ±0.25 [.010]	3 PLC ± -
4 PLC ± -	ANGLES ± -
MATERIAL SEE TABLE	FINISH 0.002032 [.000080] MIN TIN PL