

4

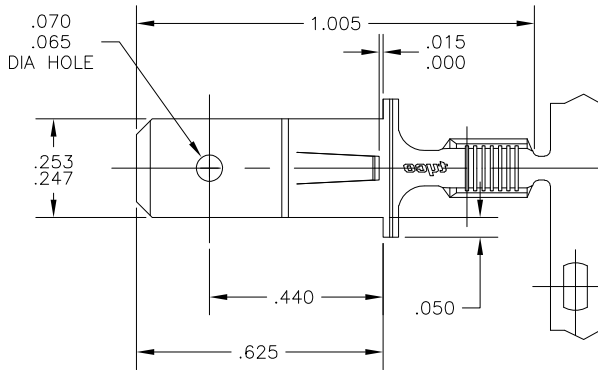
3

2

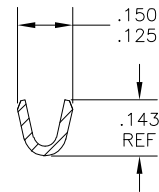
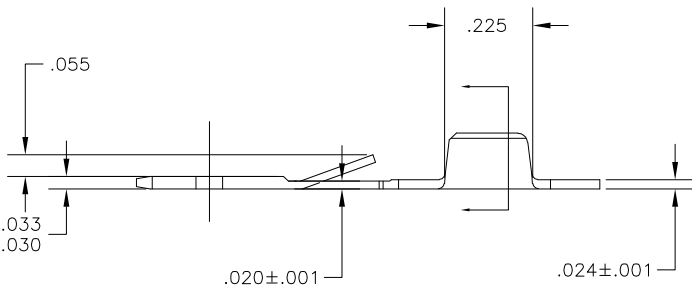
1

THIS DRAWING IS UNPUBLISHED. RELEASED FOR PUBLICATION
 © COPYRIGHT - BY TYCO ELECTRONICS CORPORATION. ALL RIGHTS RESERVED.

LOC	DIST	REVISIONS			
P	LTR	DESCRIPTION	DATE	DWN	APVD
A2		REL PER ECR 06-029769	20DEC06	JR	KR



- 1 CONTINUOUS STRIP ON REELS
- 2 WIRE SIZE 1200-3000 CMA
- 3 CRIMP INFO: WIDTH .110, F TYPE
 CRIMP HT (±.002) = (TOTAL CMA + 10,875)/187,500



1742425-1

PART NO

THIS DRAWING IS A CONTROLLED DOCUMENT.		DWN jr_ruth 31MAR06	Tyco Electronics Corporation Harrisburg, Pa 17105-3608	
DIMENSIONS: INCHES		CHK K RANDOLPH 31MAR06	NAME K RANDOLPH 31MAR06	
TOLERANCES UNLESS OTHERWISE SPECIFIED: 0 PLC ± - 1 PLC ± - 2 PLC ± - 3 PLC ± .010 4 PLC ± - ANGLES ± 5°		APVD K RANDOLPH 31MAR06	PRODUCT SPEC -	
MATERIAL 082 BRASS		FINISH .000080 MIN TIN	APPLICATION SPEC 114-2146	RESTRICTED TO -
		WEIGHT -	SIZE A3	CAGE CODE 00779
		DRAWING NO C=1742425		DRAWING NO -
		CUSTOMER DRAWING		SCALE 4:1
		SHEET 1 OF 1		REV A2

AMP 1470-19 REV 31MAR2000