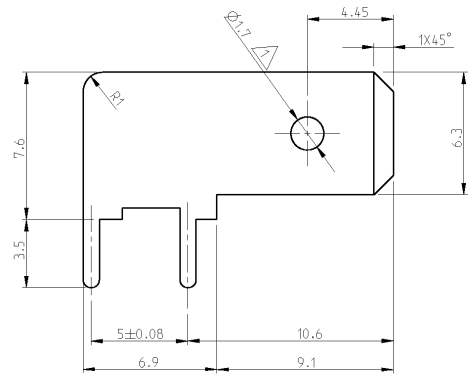
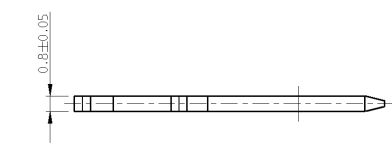


THIS DRAWING IS UNPUBLISHED. RELEASED FOR PUBLICATION 1987
 BY TYCO ELECTRONICS CORPORATION. ALL RIGHTS RESERVED.

LOC	DIST	REVISIONS				
P	LTR	DESCRIPTION	DATE	DWN	APVD	
A		NEW DRAWING	06-Okt-07	DMK	TG	
A1		ECR-10-010420	24AUG10	RK	SRE	



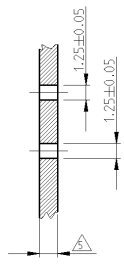
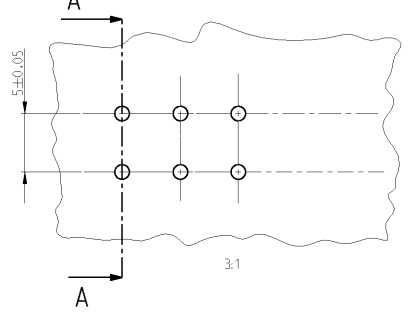
NOTES/BEMERKUNG

- 1 AUSFÜHRUNG 928814-4/-5/-6 OHNE LOCH
EXECUTION 928814-4/-5/-6 WITHOUT HOLE
- 2 3-7 µm Sn ÜBER 0.8 -1.5 µm Ni
3-7 µm Sn OVER 0.8-1.5 µm Ni
- 3 4-8 µm Sn
- 4 ANLIEFERUNGSZUSTAND: EINZELWARE IN VERSANDKARTON
DELIVERED STATE: LOOSE PIECE IN CORRUGATED SHIPPING BOX
- 5 LEITERPLATTENDICKE NACH EN 60249-2-4. TABELLE 3
PCB-THICKNESS TO EN 60249-2-4. TABLE 3
- 6 **OBSOLETE**



SCALE 1:1

EMPFOHLENES LEITERPLATTEN LOCHBILD
RECOMMENDED PCB HOLE PATTERN



FINISH	MATERIAL	PART NO	REV
1	BLANK	Cu Zn 30	4
2	BLANK	Cu Zn 30	4
3	BLANK	Cu Zn 30	4
4	BLANK	Cu Zn 30	4
5	BLANK	Cu Zn 30	4
6	BLANK	Cu Zn 30	4

DIMENSIONS: mm TOLERANCES UNLESS OTHERWISE SPECIFIED: ±0.2		DWN 06-Sep-07 CHK W. Hoffman APVD Gerlach		TYCO ELECTRONICS AMP GmbH D-64625, Bensheim, Germany	
MATERIAL SEE TABLE FINISH SEE TABLE		PRODUCT SPEC - APPLICATION SPEC -		SOLDER TAB 6.3x0.8 FOR PCB	
WEIGHT -		SIZE A3	CAGE CODE G-928814	DRAWING NO G-928814	RESTRICTED TO -
CUSTOMER DRAWING			SCALE 2:1	SHEET 1 OF 1	REV A1

AMP 1470-19 REV 31MAR2000

Print/ENGINEER DRAWING