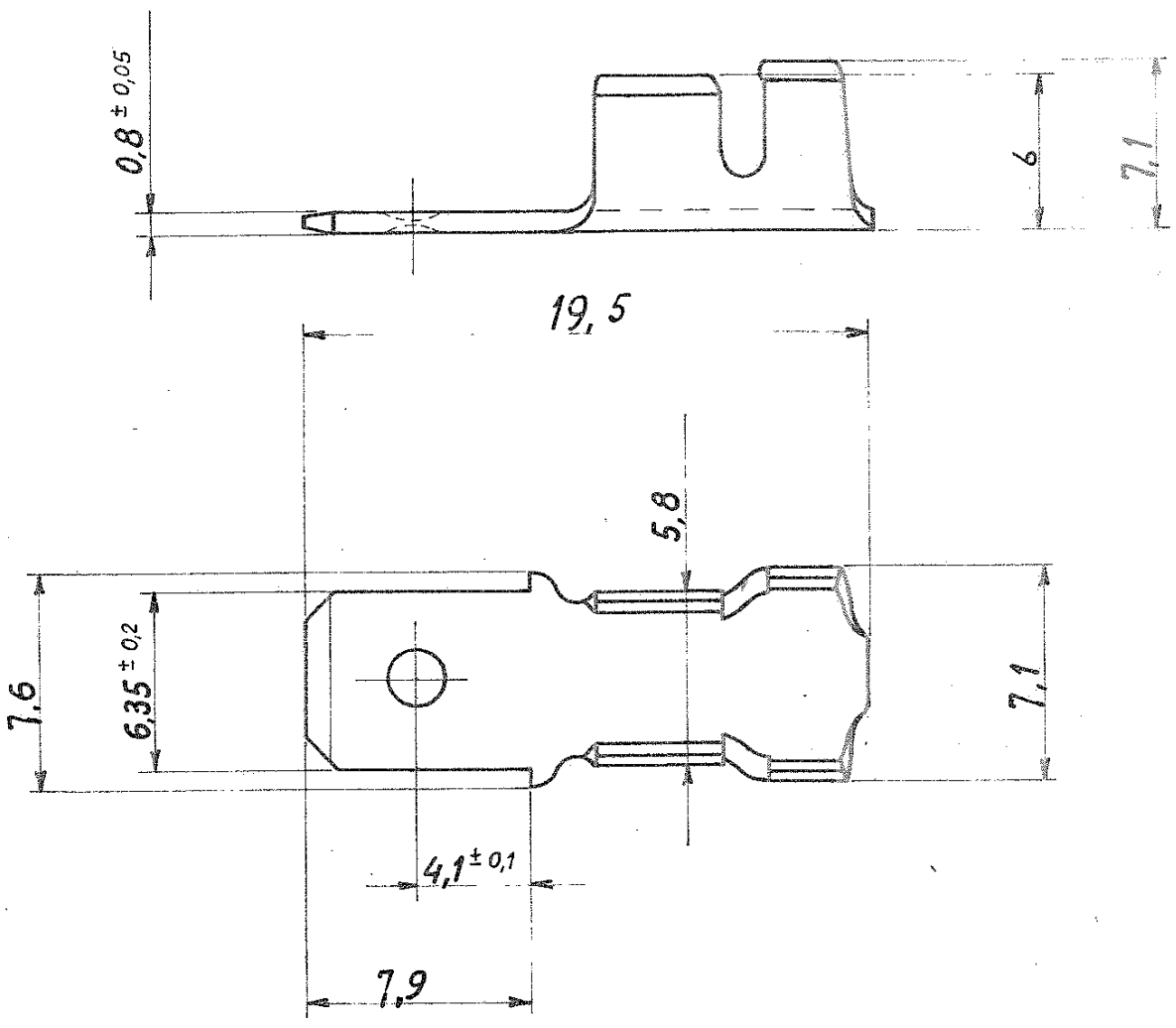


C-180353

N° Part.	Materiale
180353-1	Ottone.
180353-2	Ottone stagnato.
180353-3	BRASS, TIN PLATED 2,5-5,1 μm THK. OVER NICKEL 1,3-3,8 μm THK



DIMENSIONS IN MM/77 DO NOT SCALE PRINT

H1	ADDED PLATING INFORMATION	H.Y	G.T	01 APR 2008	
H	ADDED DASH 3	HY	G.T.	21 JAN 2008	
C	Rivisto e ridisegnato	PL.		9-1 73	
LTR	REVISION RECORD	DR	CHK	DATE	
DR	DAN. 9.1.73	DE			
CHK	10-1-73	APP			

© 1973 BY AMP INCORPORATED. ALL RIGHTS RESERVED. AMP PRODUCTS COVERED BY PATENTS AND OR PATENTS PENDING.

MATERIAL AND FINISH

Vedi tabella

WIRE RANGE INSULATION TYPE

4-6 mm<sup>2</sup> | 38-51 Dia. Auto-Mach.

TOLERANCE EXCEPT AS NOTED

± 0,4 ± 10°

SCALE 4:1

NAME Faston Tab.

CUSTOMER COPY REFERENCE ONLY

AMP ITALIA  
VIA CERVI 15  
COLLEGNO (TORINO)

CLASS .250 Series

LOC I A

NO C-180353

REV H1