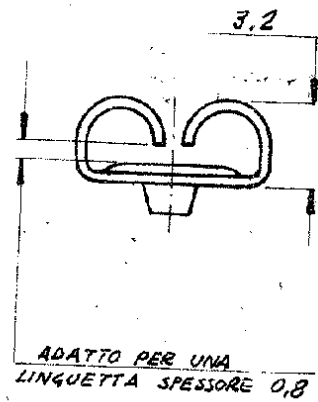
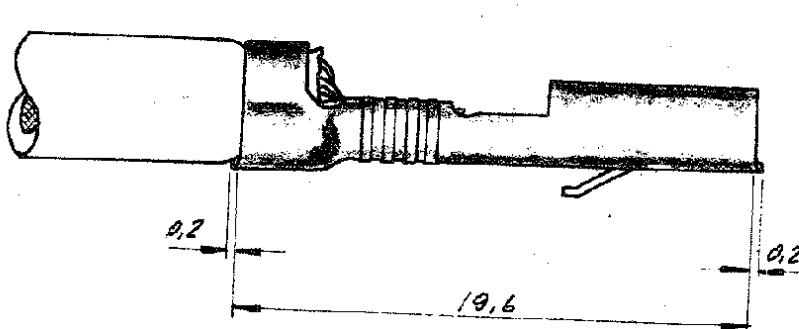
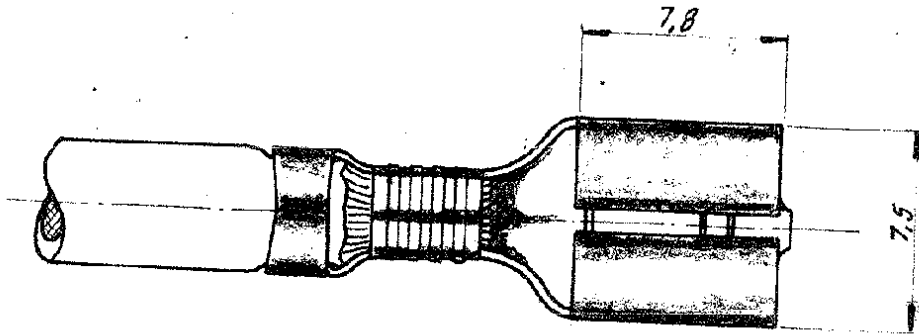


NUMBER
280098



PROIEZIONE AMERICANA

⚠ OBSOLETE PARTS: OBSOLETE CIS STREAMLINING PER D.RENAUD/D.SINISI
280098-1

DIMENSIONS IN mm DO NOT SCALE PRINT

© 1970 BY AMP INCORPORATED. ALL RIGHTS RESERVED. AMP PRODUCTS COVERED BY PATENTS AND OR PATENTS PENDING.

CUSTOMER COPY
REFERENCE ONLY

MATERIAL AND FINISH
BRONZO FOSFOR. / 1
BRONZO FOSFOR. STAGN. / 2



AMP - ITALIA
CORSO PESCHIERA 290/6
TORINO - ITALIA

A1	ECO-09-026346	KK	HMR	04FEB10
----	---------------	----	-----	---------

A	280098 ERA 1A-70-5165	DR	CHK	DATE
				27-7-70

DR	DE
CHK	APP

WIRE RANGE INSULATION TYPE
1-2.5 mm² | 4,1 DIA. MAX. AUTOM.

TOLERANCE EXCEPT AS NOTED
± 0.4 ± 10°

SCALE	LOC	NO	REV
	I A	280098	A1

250 SERIES FAST-IN-ON RECEPTACLE